

# *Fourneau*

## «*Chagny*»

### ***SPECIFICATIONS***

**WARNING:** If the information in this manual is not followed exactly, a fire or explosion may result causing property damage, personal injury or death.

- Do not store or use gasoline or other flammable vapors and liquids in the vicinity of this or any other appliance.
- **WHAT TO DO IF YOU SMELL GAS.**
  - Do not try to light any appliance.
  - Do not touch any electrical switch.
  - Do not use any phone in your building.
  - Immediately call your gas supplier from a neighbours' phone. Follow the gas supplier's instructions.
  - If you cannot reach your gas supplier, call the fire department.
- Installation and service must be performed by a qualified installer, service agency or the gas supplier.



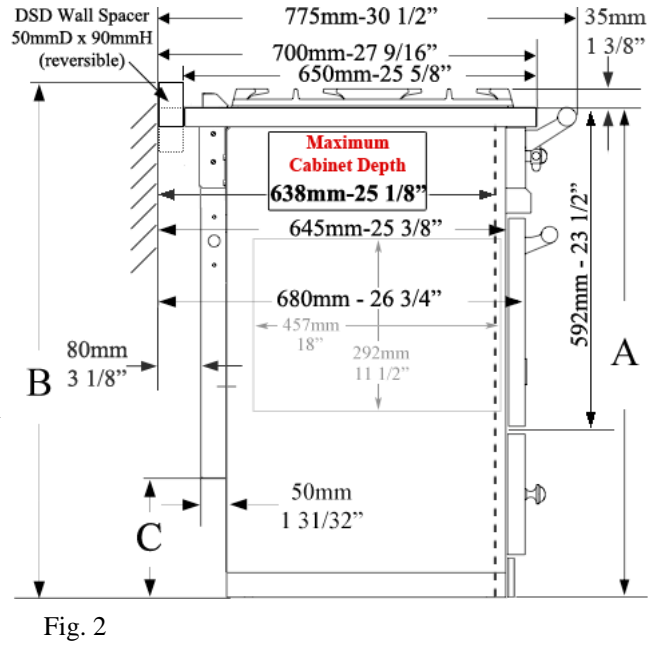
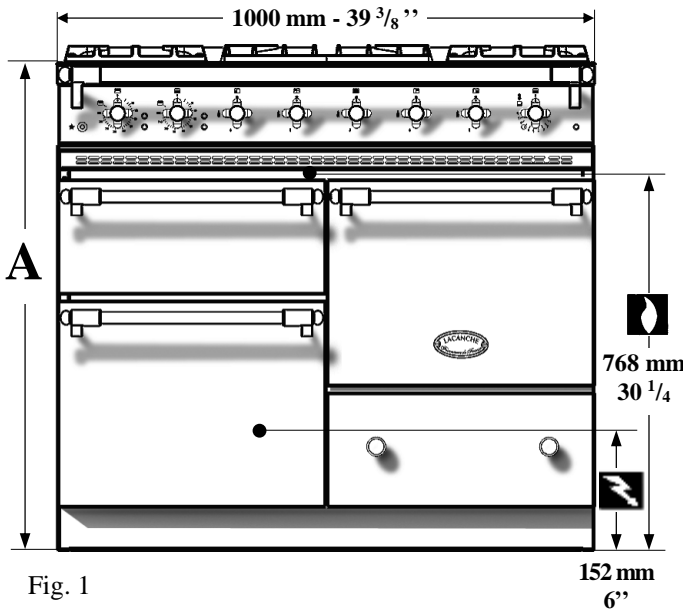
**WARNING:**  
**THIS RANGE CAN TIP**  
**INJURY TO PERSONS COULD RESULT**  
**INSTALL ANTI-TIP DEVICE PACKED**  
**WITH RANGE**  
**SEE INSTALLATION INSTRUCTIONS**



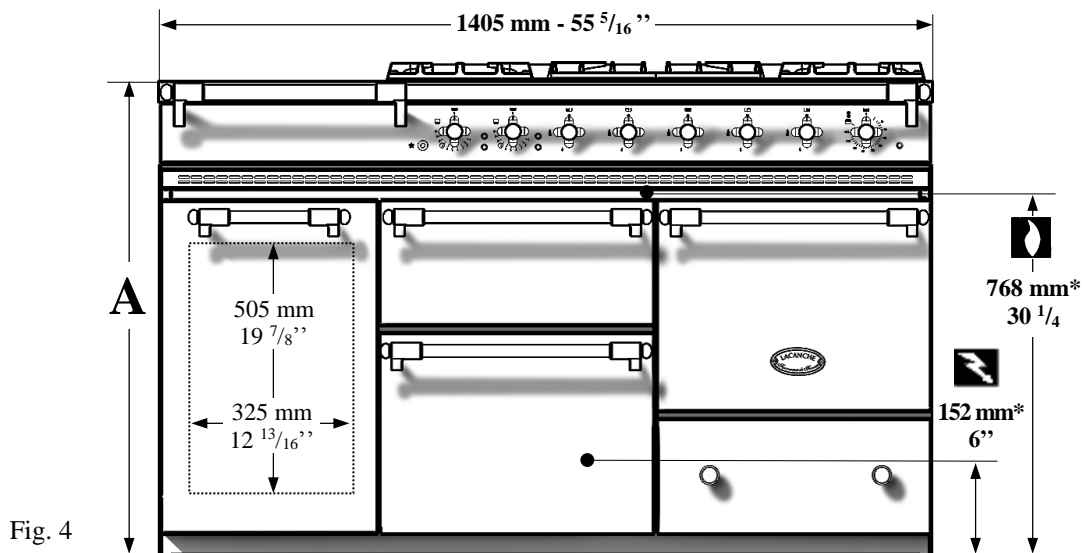
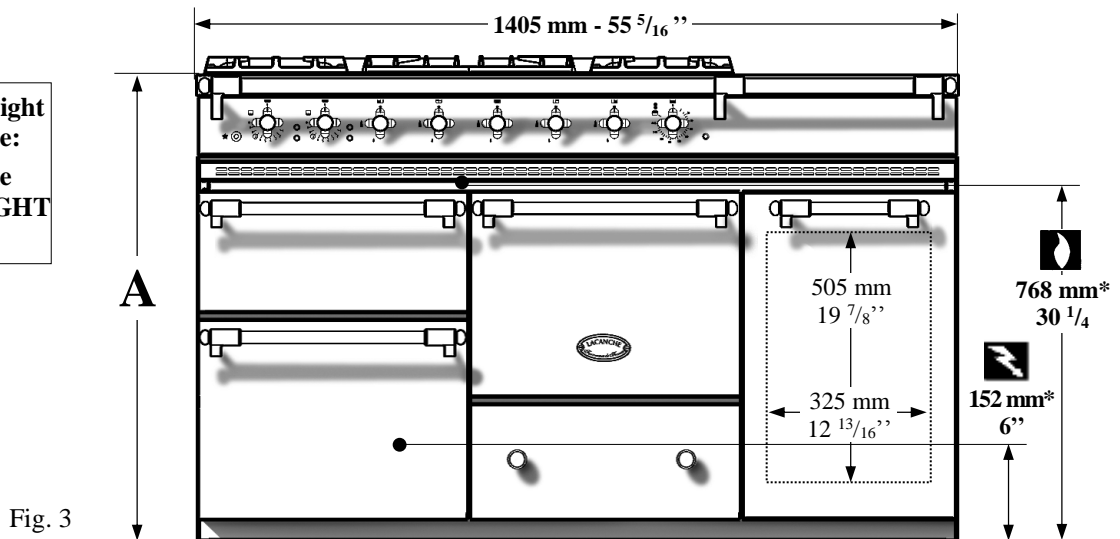


# USER'S MANUAL

## CHAGNY



The range Height is adjustable:  
Refer to the RANGE HEIGHT TABLE





# USER'S MANUAL

## CHAGNY

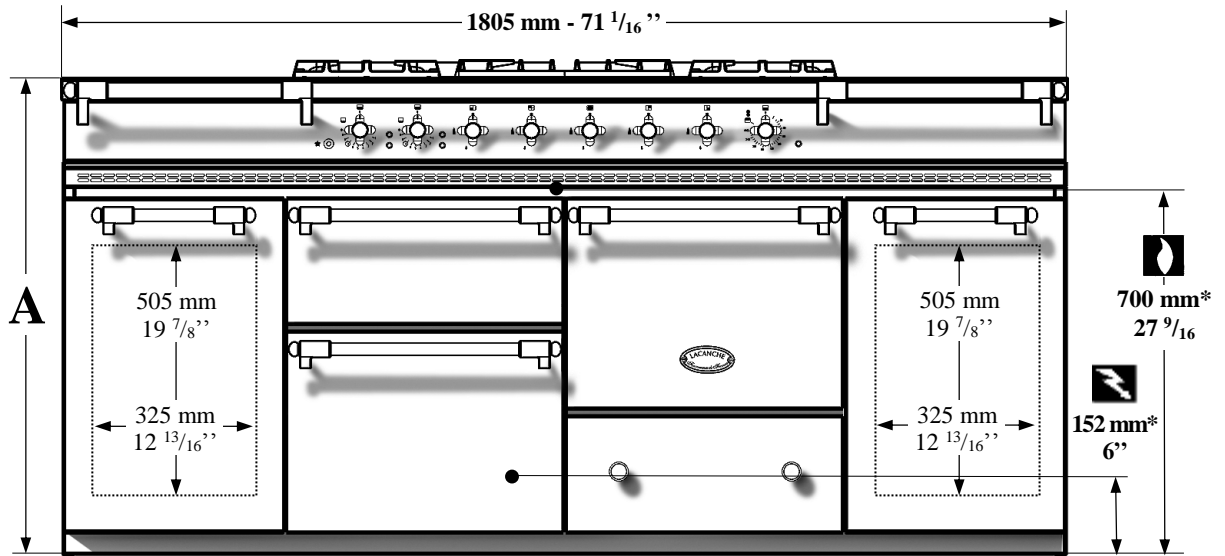
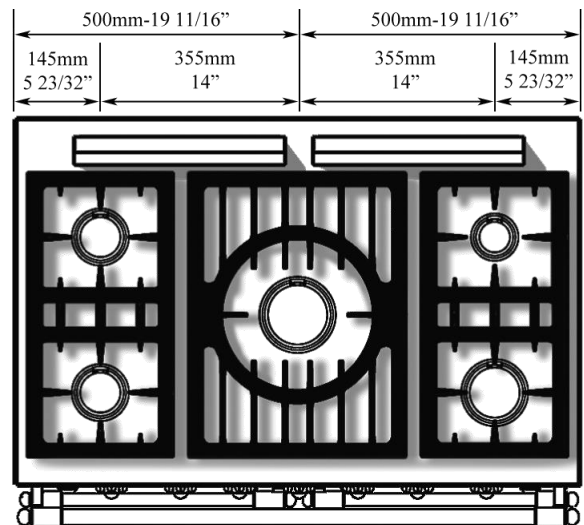
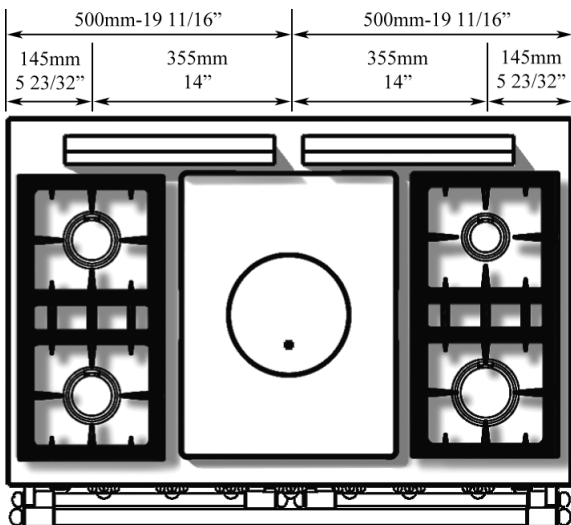


Fig. 5

RANGE HEIGHT TABLE			
The default range height of 35 3/8" will adjust to the standard countertop height of 36" using the included extended leveling feet provided (to a maximum height of 36 1/2")			
Range Height:	A	B	C
<b>Default</b>	900mm – 35 3/8" (Max 36 1/2")	1040mm – 40 15/16"	929mm – 36 9/16"
<b>Optional</b>	930mm – 36 5/8" (Max 37 3/4")	1070mm – 42 1/8"	959mm – 37 7/8"

All final range height dimensions are variable with the use of the adjustable range feet.  
Maximum added height for the Roller Feet: 16mm - 5/8", Extended Leveling Feet : 30mm – 1 3/16"

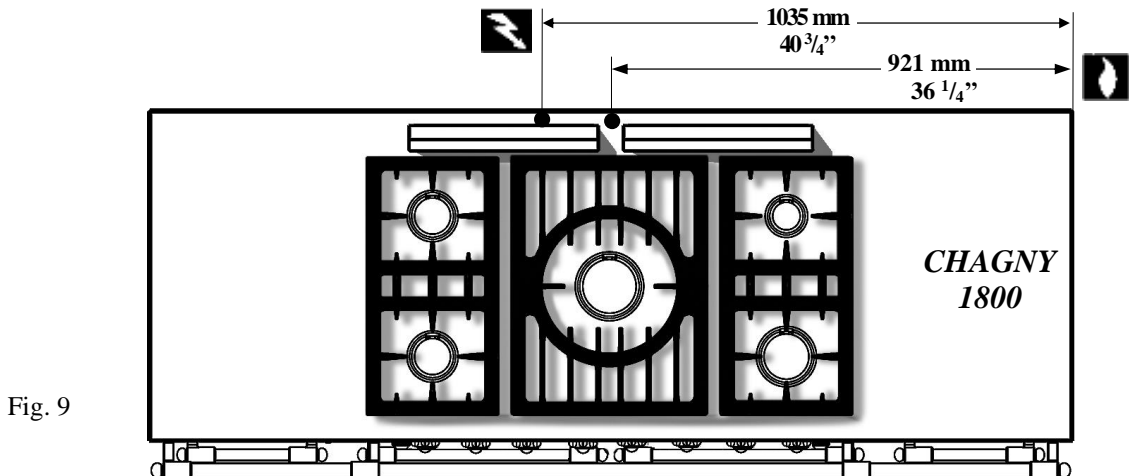
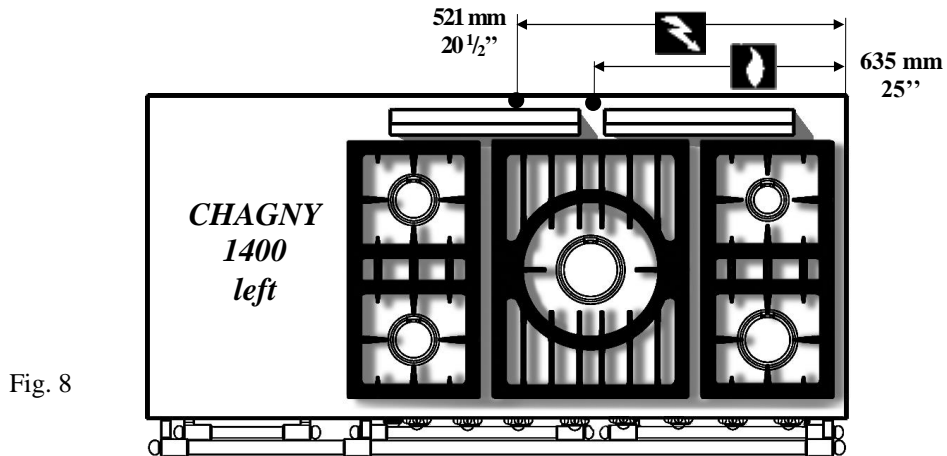
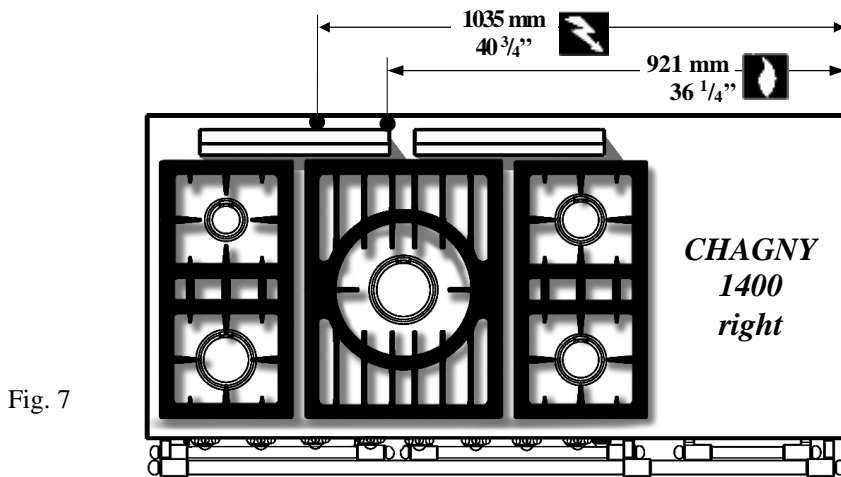
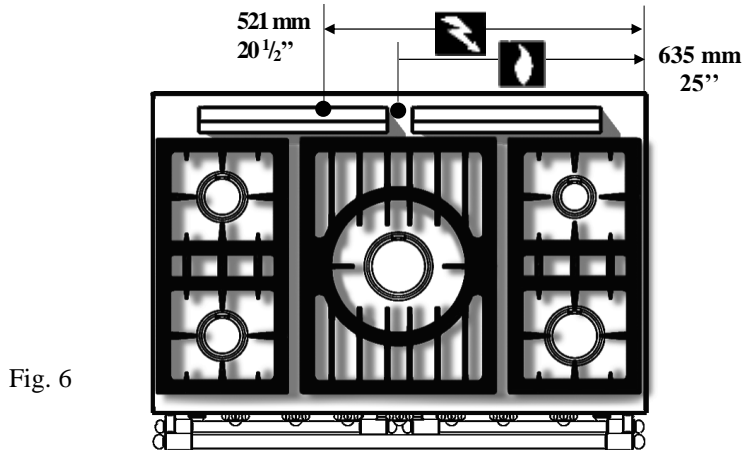
### Potfiller Positions:





# USER'S MANUAL

## CHAGNY

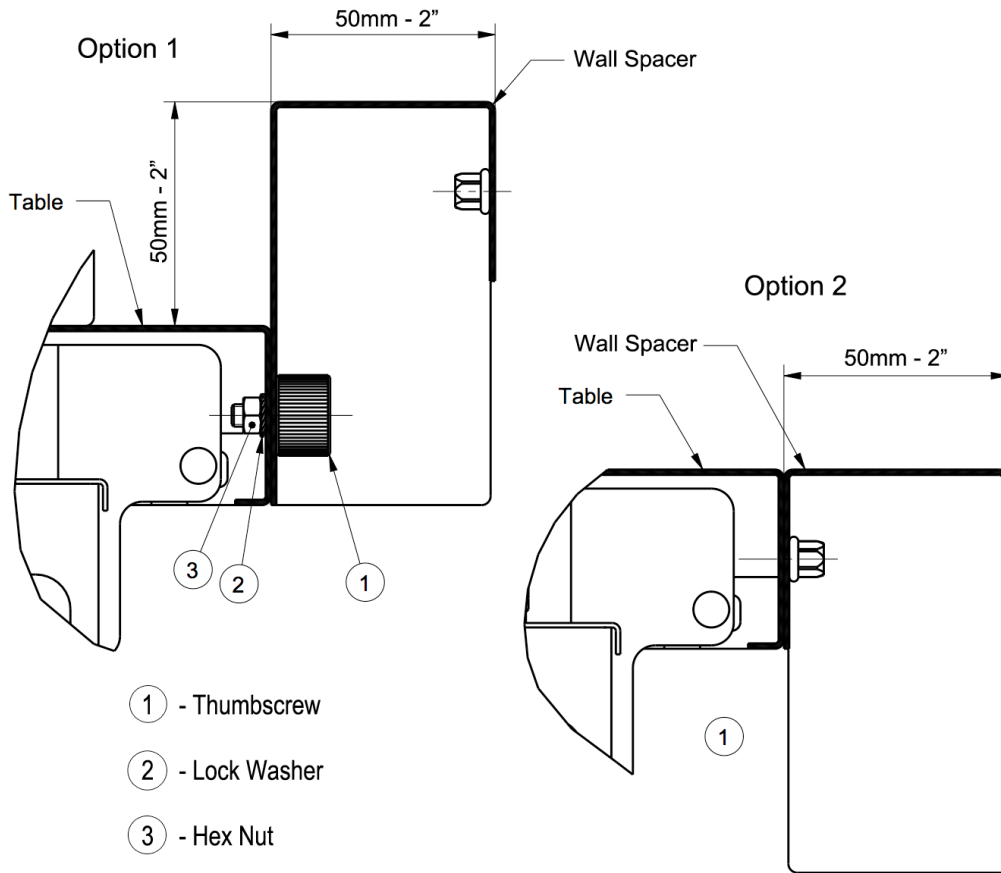




# USER'S MANUAL

## CHAGNY

DSD 50mm Wall Spacer (reversible):





# USER'S MANUAL

## CHAGNY

### **Layout (standard):**

5-burner cook's stove, 3 ovens (Figure 2). The work surfaces adjacent (CHAGNY 1400 & 1800, figures 2a, 2b, 2c & 2d) to the cooking surfaces are designed to accommodate one of the optional units in the LACANCHE range or to be used as a worktop (Figures 1, 1a, 1b, 1c, 1d & 2, 2a, 2b, 2c, 2d).

### **Description:**

#### **Cooking surface and body panels:**

Enamelled steel or stainless body panels AISI 430.

Pressing cooking surface (stainless steel AISI 304) (Figures 2a, 2b, 2c & 2d). 5 burners of different size and power individually controlled by a safety valve. Electrical ignition. TRADITION™ model equipped with a 385 x 510 mm (15<sup>5/32</sup>'' x 20<sup>5/64</sup>'' ) heating plate.

**Standard Hob:** 5 burners of different size and power (Table 1), individually controlled by a thermocouple safety valve. Electronic ignition. TRADITION™ model equipped with a 385 x 510 mm (15<sup>5/32</sup>'' x 20<sup>5/64</sup>'' ) heating plate.

**Power supply: 120 VAC 60Hz.**

#### **Gas oven:**

Enamelled sheet metal. Dimensions: W x D x H: 392mm (15<sup>1/2</sup>'' ) x 457mm (18'' ) x 292mm (11<sup>1/2</sup>'' ). 3 shelf levels with 70 mm spacing, 52.3 liters / 1.85ft<sup>3</sup>. Heating provided by thermostatically controlled burner, thermocouple safety cut-outs. Electronic ignition.

**Rating: 13500 BTU / Power supply: 120 VAC 60Hz.**

#### **Electric Petite Grill Oven:**

Enamelled sheet metal or stainless steel Z8C17.

Dimension W x D x H: 392mm (15<sup>1/2</sup>'' ) x 457mm (18'' ) x 125mm (4 7/8'' )

1 shelf level, 25 liters.

Thermostatically controlled roof and base heating elements, safety cut-out by safety thermostat. Oven: 1500 W, electric grill with a rating of 2400 W.

**Rating: 1500/2400 W - Power supply: 240 VAC 60Hz.**

#### **Static electric oven (default):**

Enamelled sheet metal. Dimensions: W x D x H: 392mm (15<sup>1/2</sup>'' ) x 457mm (18'' ) x 265mm (10<sup>7/16</sup>'' ). 3 shelf levels with 70 mm spacing, 47.5 liters / 1.68ft<sup>3</sup>. Thermostatically controlled roof and base heating elements, safety cut-out by safety thermostat. Electric broiler/grill 2100 W.

**Rating: 2200 W – Power supply: 240 VAC 60Hz.**

#### **Forced Convection electric oven (option):**

Heating provided by circular heating element surrounding a circulation fan at oven rear.

Enamelled sheet metal. Dimensions: W x D x H: 392 mm (15<sup>1/2</sup>'' ) x 410 mm (16<sup>1/8</sup>'' ) x 265 mm (10<sup>7/16</sup>'' ). 3 shelf level with 70 mm spacing, 42.6 liters / 1.50ft<sup>3</sup>. Thermostatically controlled heating elements, thermal safety cut-out by safety thermostat. Electric broiler/grill 2100 W.

**Rating: 2650 W – Power supply: 240 VAC 60Hz.**

#### **Accessories (standard):**

Gas Oven: A wire rack, a drip pan, a pastry sheet.

Electric Oven: A wire rack, a drip pan, a wire broil/grill insert, a pastry sheet.

#### **Shipment / Packaging:**

Unpack and check the appliance is in good condition. In case damage, note any reservations on the delivery note and confirm them within 48 hours by registered letter with confirmation of delivery to the carrier.

Appliance	Width	Depth	Height mm / ''	Weight Gross/Net - Kg / lb
<b>D US 10 01 5 0T U S G - -</b>	1130 mm / 44.5''	760 mm / 29.9''	1050 mm / 41.3''	120 kg /108 kg – 267 / 240 lb
<b>D US 14 01 5 0T U S G - -</b>	1450 mm / 57.1''	840 mm / 33.1''	1070 mm / 42.1''	200 kg /180 kg – 445 / 400 lb
<b>D US 18 01 5 0T U S G - -</b>	1850 mm / 72.8''	840 mm / 33.1''	1070 mm / 42.1''	275 kg /245 kg – 605 / 540 lb



# USER'S MANUAL

## CHAGNY

### Gas connection:

**1/2" ID NPT** (Sch 40) inlet, on male coupling (Figures 1, 3, 4, 5, 6, 7, 8, & 9). Sealant on all pipe joints must be resistive to LP gas.

If used, a flex gas line for the gas supply must be metal of at least 1/2" ID NPT approved by an approved certifying agency (A.G.A., C.G.A. etc.) in compliance with ANSI Z21.41 and Z21.69. Never use a hose made of rubber or other synthetic material.

### Gas supply:

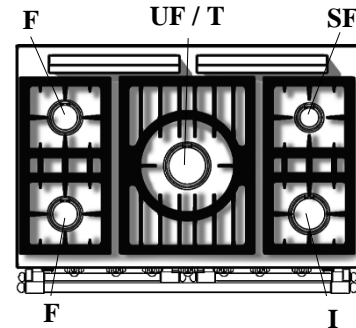
Appliance gas supplying can be switched, please refer to rating plate and marking at the rear of the appliance. **If specified at the time of the order, the appliance is built to use the gas type specified. No further work is necessary.**

### Pressures and hourly consumption:

>> **Gas supply input pressure must be no higher than 0.5psi.**

Appliance gas supplying can be switched (table 1).

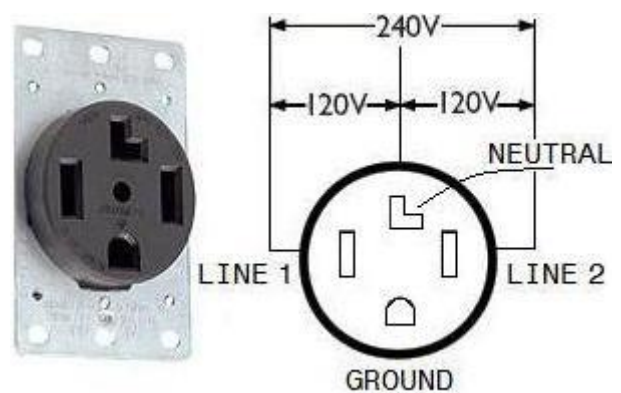
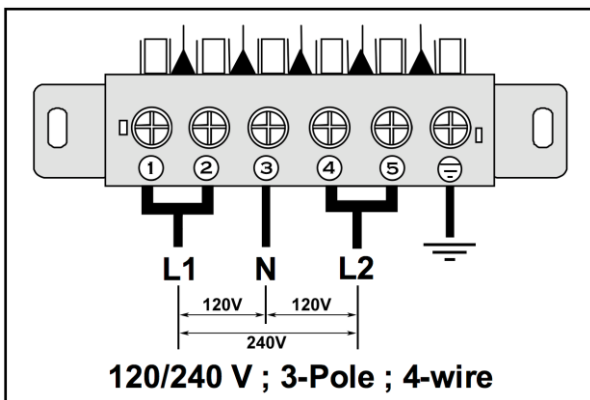
Table 1		
PRESSURE	6" WC	10" WC
GAS	Natural Gas	L.P. Propane
Burner	Btu / hr	Btu / hr
Gas Oven	13500	11000
Top Burner 18000 (5)	18000	17000
Heating plate (C)	18000	17000
Top burner 15000	15000	13000
Top burner 11000	11000	10000
Top burner 5000	5000	5000



### Electrical connection:

On terminal block at the rear of the appliance. Use flexible cord in accordance with standard N.E.C., ANSI/NEMA 70-1996 or latest edition (not cord provided by factory) (location on Figures 1, 3, 4, 5, 6, 7, 8 & 9).

>> **Appliance power cord is installed by importer/distributor. Do not remove installed power cord.**







## USER'S MANUAL

### CHAGNY

#### Power Specifications for Chagny, Chagny 1400, and Chagny 1800 (no Warming Cupboard) Ranges

CHAGNY	CHAGNY 1400	CHAGNY 1800	Voltage (V)	Amperage (A)	Wattage (W)
ULG1053EG	ULG1453EG	ULG1853EG	120 / 240	19.3	4622
ULG1053CTG	ULG1453CTG	ULG1853CTG	120 / 240	21.2	5072
ULG1053E	ULG1453E	ULG1853E	120 / 240	28.4	6802
ULG1053ECT	ULG1453ECT	ULG1853ECT	120 / 240	30.3	7252
ULCF1053EG	ULCF1453EG	ULCF1853EG	120 / 240	19.3	4622
ULCF1053CTG	ULCF1453CTG	ULCF1853CTG	120 / 240	21.2	5072
ULCF1053E	ULCF1453E	ULCF1853E	120 / 240	28.4	6802
ULCF1053ECT	ULCF1453ECT	ULCF1853ECT	120 / 240	30.3	7252

Ranges with Plancha cooktop option, add: 9.2 Amps, 2200 Watts

Ranges with Multicooker option, add: 14.6 Amps, 3500 Watts

Ranges with Induction option, add 16.2 Amps, 3700 Watts

#### Power Specifications for Chagny 1400 and Chagny 1800 (+ETL001\*) Ranges

CHAGNY 1400 +ETL001*	CHAGNY 1800 +ETL001*	Voltage (V)	Amperage (A)	Wattage (W)
ULG1453EG+ETL001	ULG1853GE+ETL001	120 / 240	23.3	5572
ULG1453CTG+ETL001	ULG1853GCT+ETL001	120 / 240	25.1	6022
ULG1453E+ETL001	ULG1853E+ETL001	120 / 240	32.3	7752
ULG1453ECT+ETL001	ULG1853ECT+ETL001	120 / 240	34.2	8202
ULCF1453EG+ETL001	ULCF1853GE+ETL001	120 / 240	23.3	5572
ULCF1453CTG+ETL001	ULCF1853GCT+ETL001	120 / 240	25.1	6022
ULCF1453E+ETL001	ULCF1853E+ETL001	120 / 240	32.3	7752
ULCF1453ECT+ETL001	ULCF1853ECT+ETL001	120 / 240	34.2	8202

\* ETL001 = one warming cupboard

Ranges with Plancha cooktop option, add: 9.2 Amps, 2200 Watts

Ranges with Multicooker option, add: 14.6 Amps, 3500 Watts

Ranges with Induction option, add 16.2 Amps, 3700 Watts

#### Power Specifications for Chagny 1800 (+2ETL001\*) Ranges

CHAGNY 1800+2ETL001*	Voltage (V)	Amperage (A)	Wattage (W)
ULG1853EG+2ETL001	120 / 240	27.2	6522
ULG1853CTG+2ETL001	120 / 240	29.1	6972
ULG1853E+2ETL001	120 / 240	36.3	8702
ULG1853ECT+2ETL001	120 / 240	38.2	9152
ULCF1853EG+2ETL001	120 / 240	27.2	6522
ULCF1853CTG+2ETL001	120 / 240	29.1	6972
ULCF1853E+2ETL001	120 / 240	36.3	8702
ULCF1853ECT+2ETL001	120 / 240	38.2	9152

\* 2ETL001 = two warming cupboards

Ranges with Plancha cooktop option, add: 9.2 Amps, 2200 Watts

Ranges with Multicooker option, add: 14.6 Amps, 3500 Watts

Ranges with Induction option, add 16.2 Amps, 3700 Watts