

Fourneau

«*Beaune-Bussy*»

SPECIFICATIONS

WARNING: If the information in this manual is not followed exactly, a fire or explosion may result causing property damage, personal injury or death.

- Do not store or use gasoline or other flammable vapors and liquids in the vicinity of this or any other appliance.
- **WHAT TO DO IF YOU SMELL GAS.**
 - Do not try to light any appliance.
 - Do not touch any electrical switch.
 - Do not use any phone in your building.
 - Immediately call your gas supplier from a neighbor's phone. Follow the gas supplier's instructions.
 - If you cannot reach your gas supplier, call the fire department.
- Installation and service must be performed by a qualified installer, service agency or the gas supplier.



WARNING:
THIS RANGE CAN TIP
INJURY TO PERSONS COULD RESULT
INSTALL ANTI-TIP DEVICE PACKED
WITH RANGE
SEE INSTALLATION INSTRUCTIONS





SPECIFICATIONS

BEAUNE - BUSSY

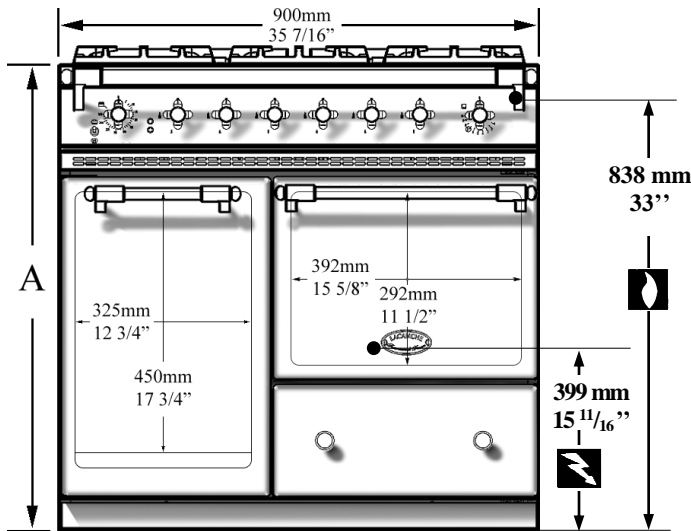


Fig. 1

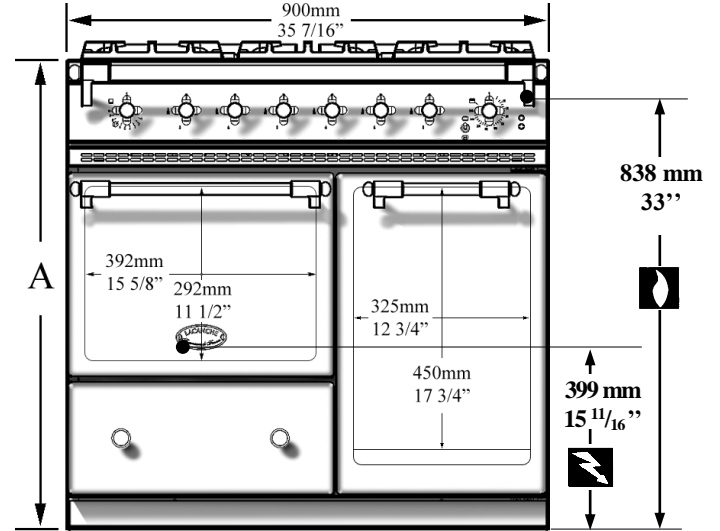


Fig. 2

The range Height is adjustable:
Refer to the RANGE HEIGHT TABLE

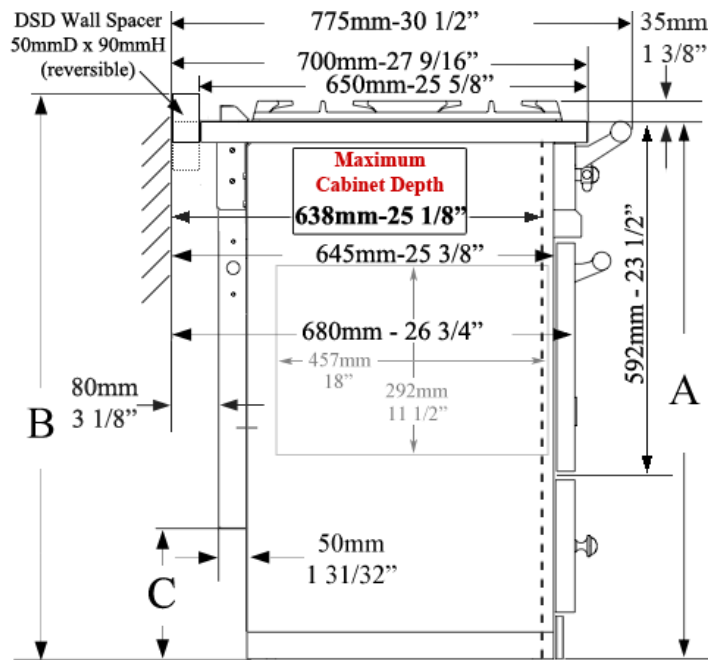


Fig. 3

RANGE HEIGHT TABLE			
The default range height of 35 3/8" will adjust to the standard countertop height of 36" using the included extended leveling feet provided (to a maximum height of 36 1/2")			
Range Height:	A	B	C
Default	900mm - 35 3/8" (Max 36 1/2")	950mm - 37 3/8"	215mm - 8 7/16"
Optional	930mm - 36 5/8" (Max 37 3/4")	980mm - 38 9/16"	245mm - 9 5/8"
All final range height dimensions are variable with the use of the adjustable range feet. Maximum added height for the <u>Roller Feet</u> : 16mm - 5/8", <u>Extended Leveling Feet</u> : 30mm - 1 3/16"			



SPECIFICATIONS

BEAUNE - BUSSY

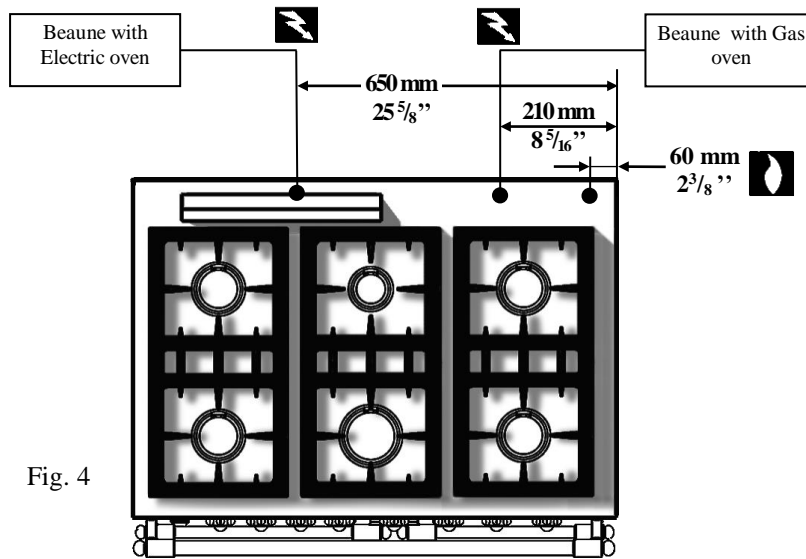


Fig. 4

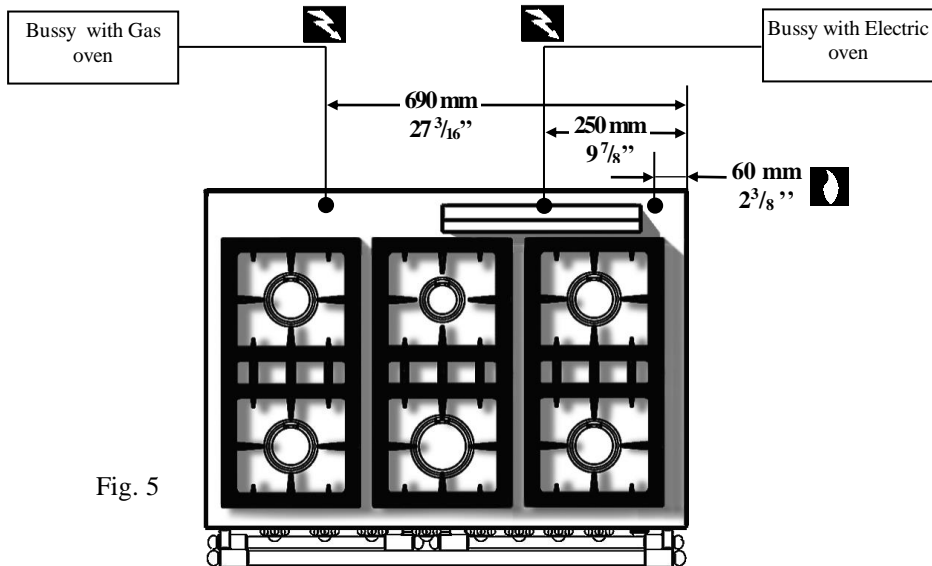
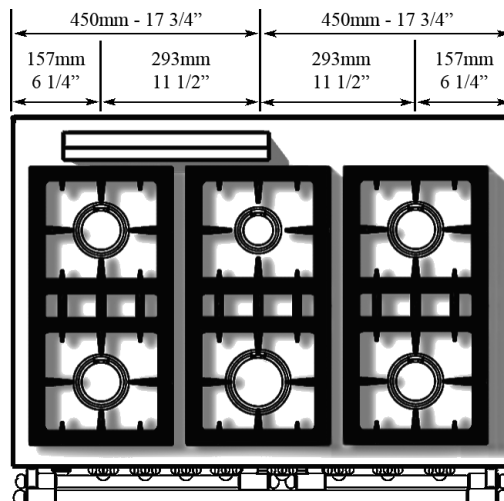


Fig. 5

Potfiller Positions:

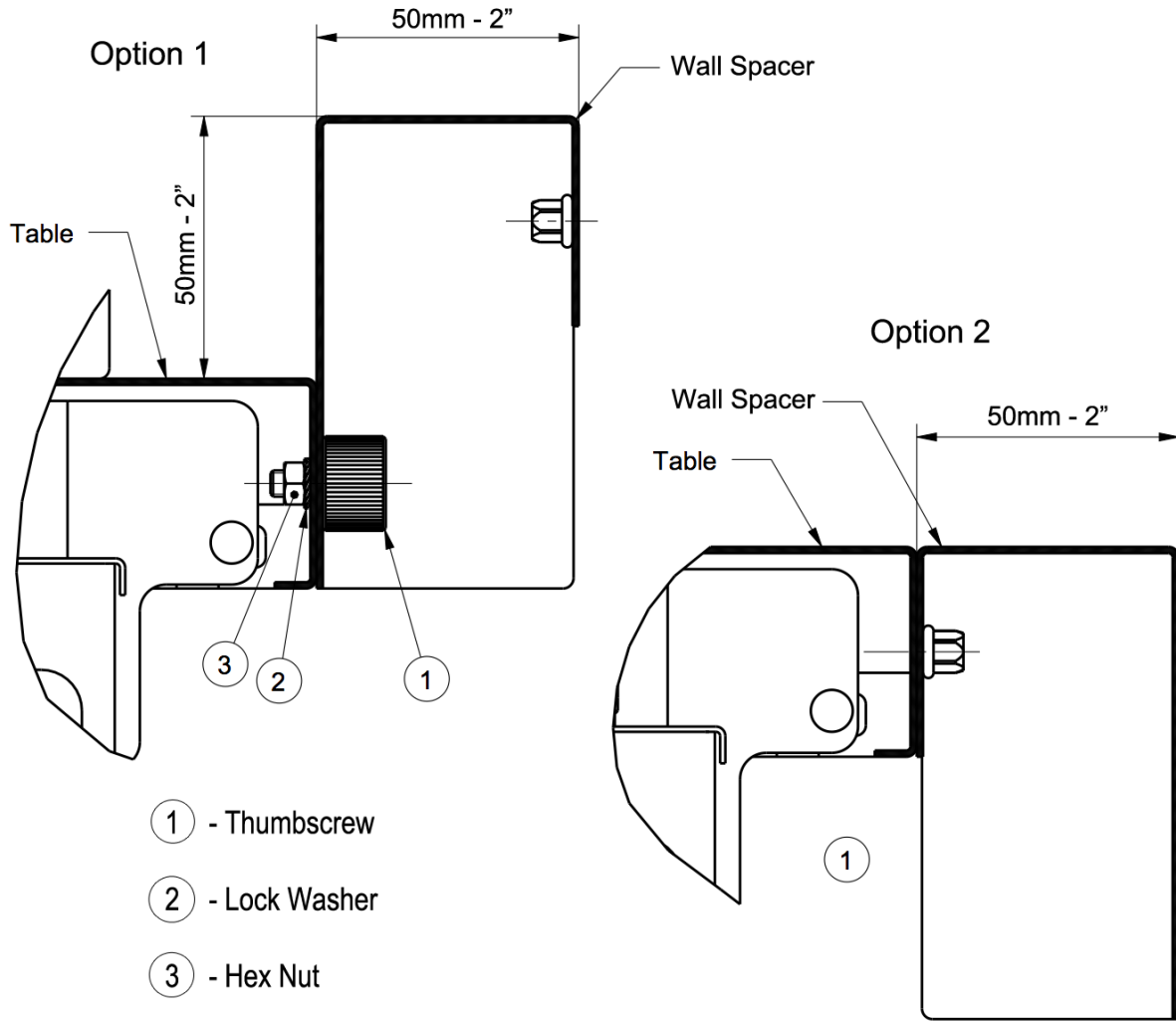




SPECIFICATIONS

BEAUNE - BUSSY

DSD 50mm Wall Spacer (reversible):





SPECIFICATIONS

BEAUNE - BUSSY

Layout (standard):

6-burner cook's stove, 1 oven and 1 switchable vertical electric oven GN 1/1 (Figure 1 & 2).

Description:

Cooking surface and body panels:

Enamelled steel or stainless body panels AISI 430. Press-formed cooking surface (stainless steel AISI 304) (Fig. 4 & 5).

Standard Hob: 6- Burners of different size and power individually controlled by a safety valve. Electronic ignition.

Power supply: 120 VAC 60Hz.

Gas oven:

Enamelled sheet metal. Dimensions W x D x H: 392mm (15¹/₂'') x 457mm (18'') x 292mm (11¹/₂''). 3 shelf levels with 70 mm spacing, 52.3 liters / 1.85ft³. Heating provided by thermostatically controlled burner, thermocouple safety cut-outs. Electrical ignition.

Power supply: 120 VAC 60Hz.

Static electric oven:

Dimensions W x D x H: 392mm (15¹/₂'') x 457mm (18'') x 292mm (11¹/₂''), 52.3 liters / 1.85ft³, 3 shelf level with 70 mm spacing Electric broiler with a rating of 2850 W. One 1400 W element at the base and a peripheral 700 W element in the roof which operate simultaneously. Thermostatically controlled roof and base heating elements, safety cut-out by safety thermostat.

Rating: 2900 W – Power supply: 240 Volts 60Hz.

Vertical Electric Oven (Switchable):

Dimensions: D x W x H: 530 mm (20 ⁷/₈'') x 325 mm (12¹³/₁₆'') x 490 mm (19⁵/₁₆''). 4 shelf levels with 70 mm (2 ³/₄'') spacing. Electric broiler with a rating of 2100 W.

Function static electric oven:

One 1400 W element at the base and a peripheral 700 W element in the roof which operate simultaneously. Thermostatically controlled roof and base heating elements, safety cut-out by safety thermostat.

Rating: 2900 W – Power supply: 240 Volts 60Hz.

Function ventilated electric oven:

Heating provided by one circular 2650 W element on the rear wall. Thermostatically controlled heating elements, safety cut-out by safety thermostat.

Rating: 2650 W – Power supply: 240 Volts 60Hz.

Accessories (standard):

Gas Oven: A wire rack, a drip pan, a pastry sheet.

Electric Oven: A wire rack, a drip pan, a wire broil/grill insert, a pastry sheet.

Vertical Oven: Two wire racks

Shipment-Packaging

Unpack and check the appliance is in good condition. In case of damage, note any reservations on the delivery note and report them within 7 days to your retailer/distributor to be claimed on shippers insurance.

Appliance	Width	Depth	Height mm	Weight Gross/Net
ULG 961 G	1130 mm / 44.5''	760 mm / 29.9''	1050 mm / 41.3''	120 kg /108 kg – 267 / 240



SPECIFICATIONS

BEAUNE - BUSSY

Gas connection:

1/2" ID NPT (Sch 40) inlet, on male coupling (Figures 1, 3, 4 & 5). Sealant on all pipe joints must be resistive to LP gas. If used, a flex gas line for the gas supply must be metal of at least 1/2" ID NPT approved by an approved certifying agency (A.G.A., C.G.A., etc.) in compliance with ANSI Z21.41 and Z21.69. Never use a hose made of rubber or other synthetic material.

Gas supply:

Appliance gas supplying can be switched, please refer to rating plate and marking at the rear of the appliance.

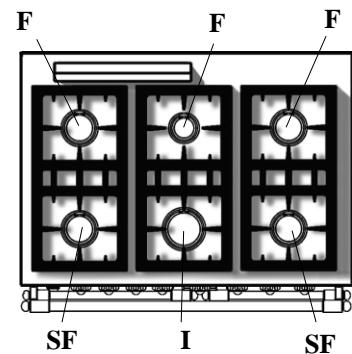
If specified at the time of the order, the appliance is built to use the gas type specified. No further work is necessary.

Pressures and hourly consumption:

>> **Gas supply input pressure must be no higher than 0.5psi.**

Appliance gas supplying can be switched (table 1).

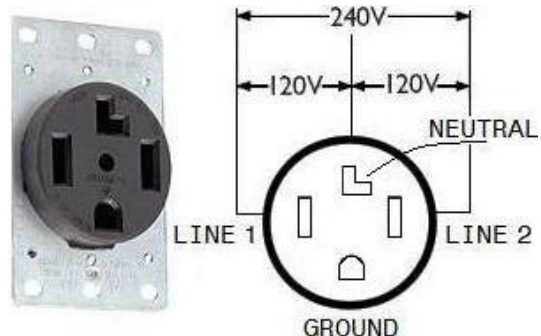
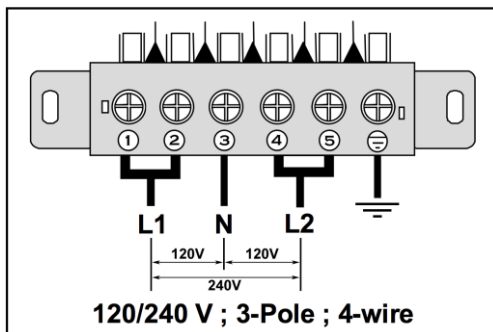
Table 1		
PRESSURE	6" WC	10" WC
GAS	Natural gas	G.P.L.
Burner	Btu / hr	Btu / hr
Oven	13,500	11,000
Ultra fast (UF) Tradition (T)	18,000	17,000
Intensive (I)	15,000	13,000
Fast (F)	11,000	10,000
Semi fast (SF)	5,000	5,000



Electrical connection:

On terminal block at the rear of the appliance. Use flexible cord in accordance with standard N.E.C., AINSI/NEMA 70-1996 or latest edition (not cord provided) (Figures 1, 2, 3, 4 & 5).

>> **Appliance power cord is installed by importer/distributor. Do not remove installed power cord.**





SPECIFICATIONS *BEAUNE - BUSSY*

Power Specifications for Beaune Ranges

BEAUNE	Voltage (V)	Amperage (A)	Wattage (W)
ULG962G -D	120 / 240	11.2	2672
ULG962E-D	120 / 240	20.3	4872
ULG962CT-D	120 / 240	22.3	5342

Power Specifications for Bussy Ranges

BUSSY	Voltage (V)	Amperage (A)	Wattage (W)
ULG962G-G	120 / 240	11.2	2672
ULG962E-G	120 / 240	20.3	4872
ULG962CT-G	120 / 240	22.3	5342