

Fourneau

«*Chagny*»

WARNING: If the information in this manual is not followed exactly, a fire or explosion may result causing property damage, personal injury or death.

- Do not store or use gasoline or other flammable vapors and liquids in the vicinity of this or any other appliance.
- **WHAT TO DO IF YOU SMELL GAS.**
 - Do not try to light any appliance.
 - Do not touch any electrical switch.
 - Do not use any phone in your building.
 - Immediately call your gas supplier from a neighbours' phone. Follow the gas supplier's instructions.
 - If you cannot reach your gas supplier, call the fire department.
- Installation and service must be performed by a qualified installer, service agency or the gas supplier.



WARNING:
THIS RANGE CAN TIP
INJURY TO PERSONS COULD RESULT
INSTALL ANTI-TIP DEVICE PACKED
WITH RANGE
SEE INSTALLATION INSTRUCTIONS





GENERAL MANUAL

CHAGNY

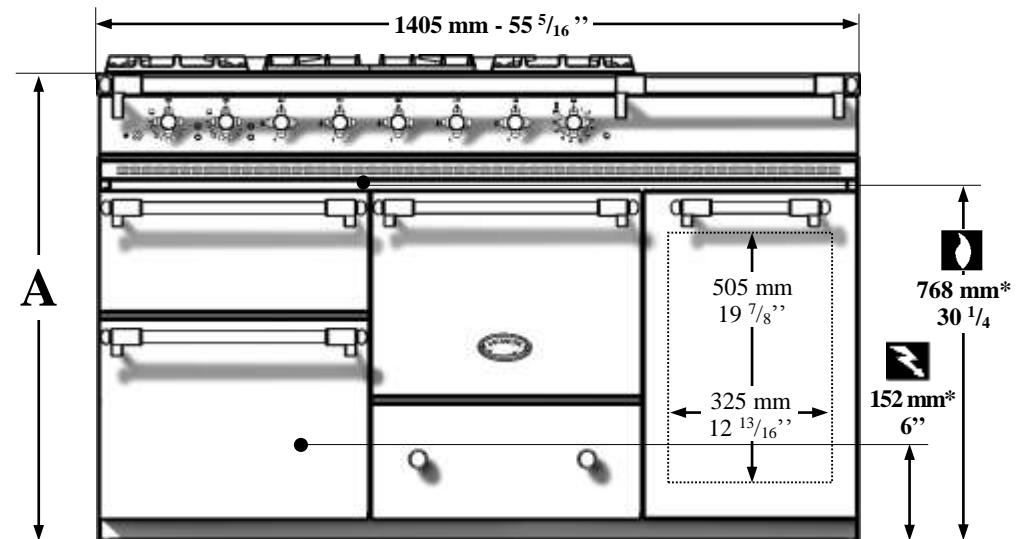
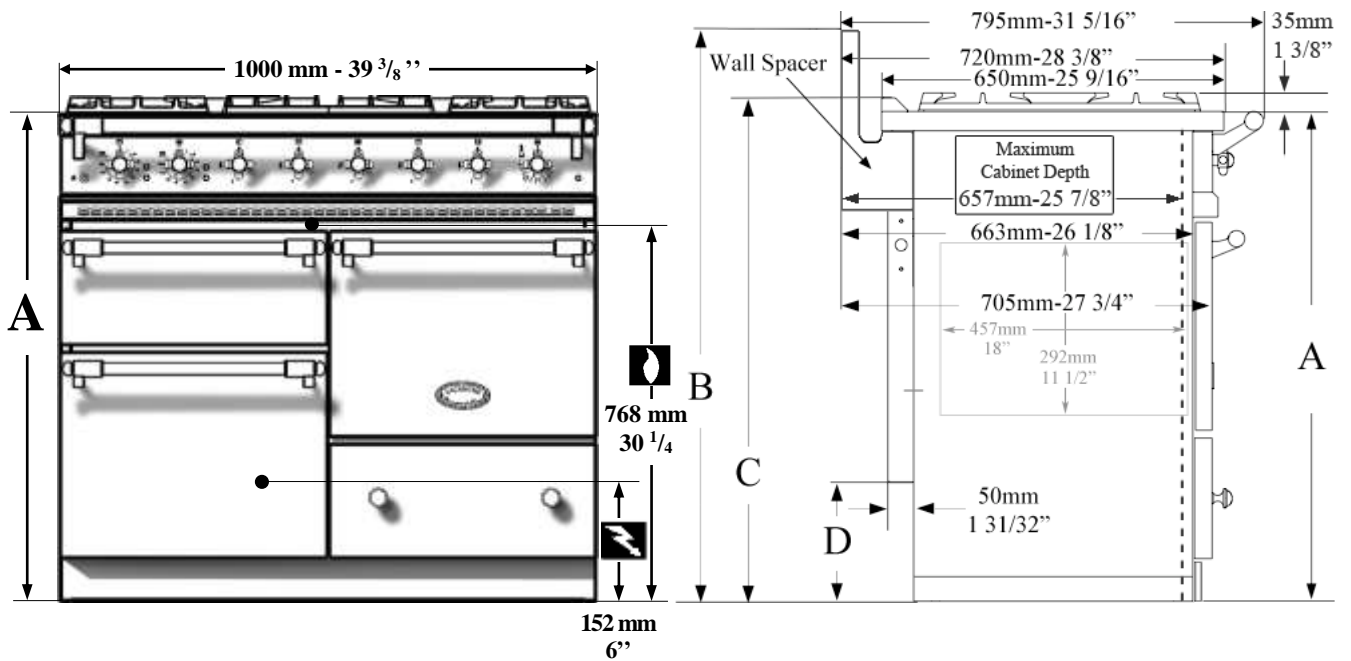


Fig. 1a

The range Height is adjustable:
Refer to the RANGE HEIGHT TABLE

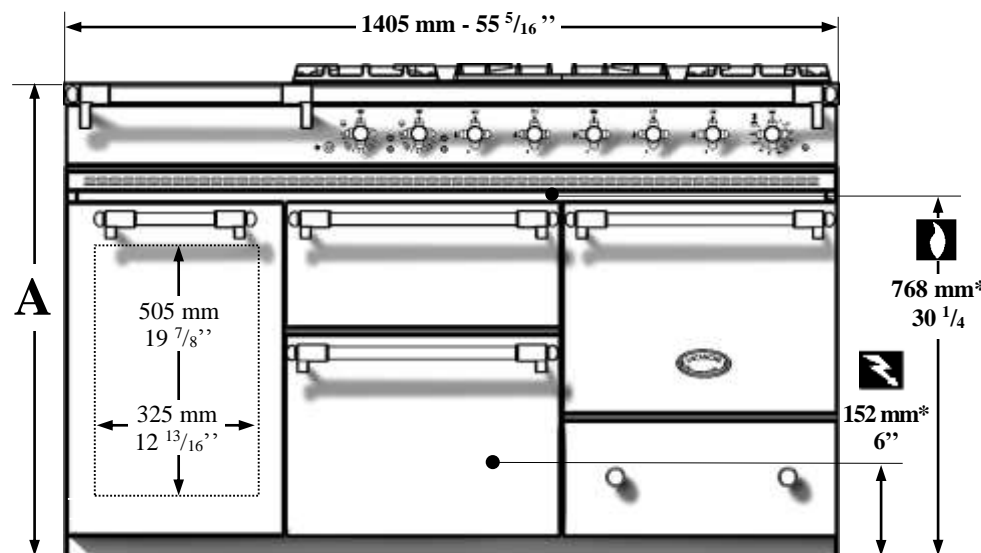


Fig. 1b



GENERAL MANUAL

CHAGNY

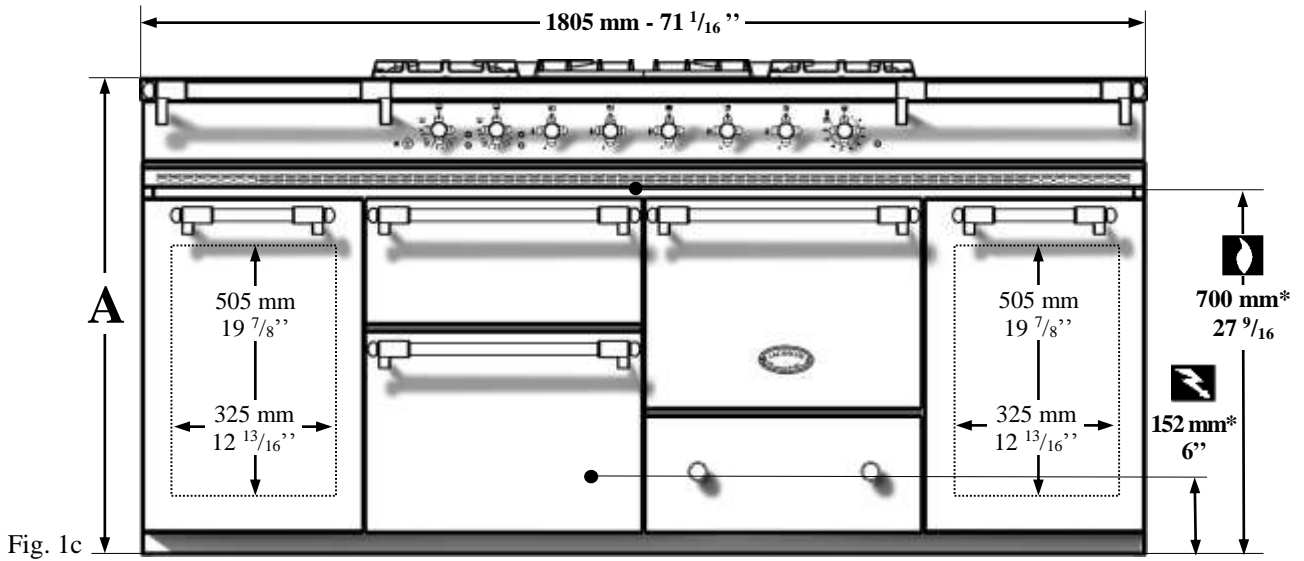


Fig. 1c

RANGE HEIGHT TABLE

The default range height of 35 3/8" will adjust to the standard countertop height of 36" using the included extended leveling feet provided (to a maximum height of 36 1/2")

Range Height:	A	B	C	D
Default	900mm – 35 3/8" (Max 36 1/2")	1040mm – 40 15/16"	929mm – 36 9/16"	215mm – 8 15/32"
Optional	930mm – 36 5/8" (Max 37 3/4")	1070mm – 42 1/8"	959mm – 37 7/8"	245mm – 9 5/8"

All final range height dimensions are variable with the use of the adjustable range feet.
Maximum added height for the Roller Feet: 16mm - 5/8", Extended Leveling Feet : 30mm - 1 3/16"

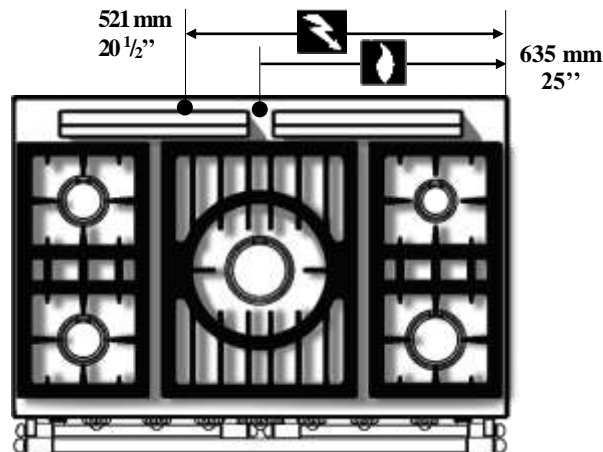


Fig. 2a

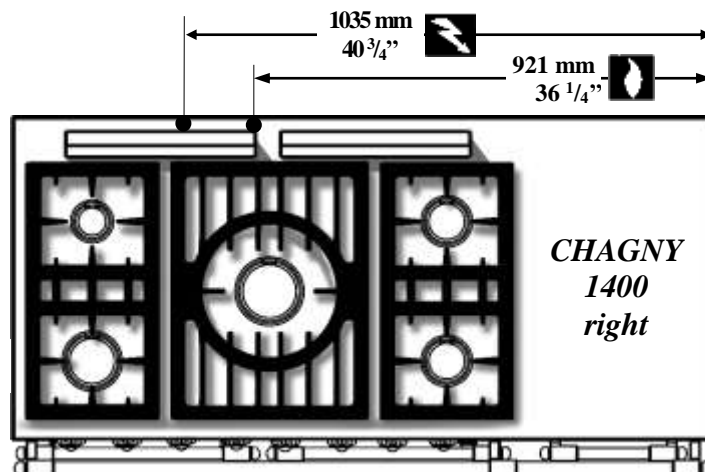


Fig. 2b



GENERAL MANUAL

CHAGNY

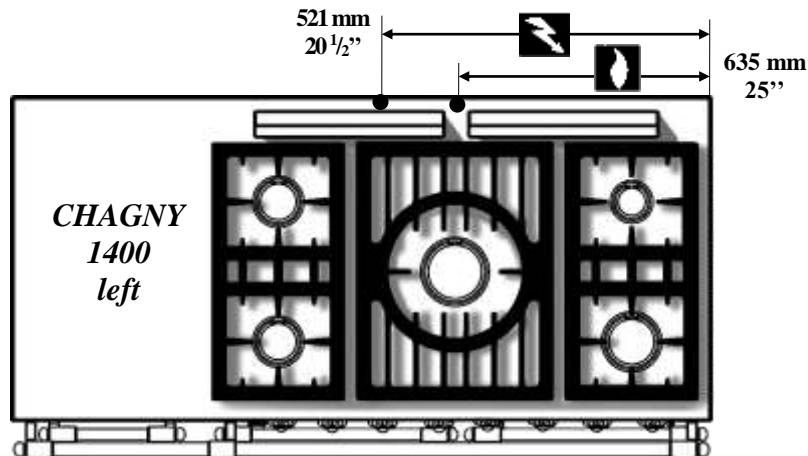


Fig. 2c

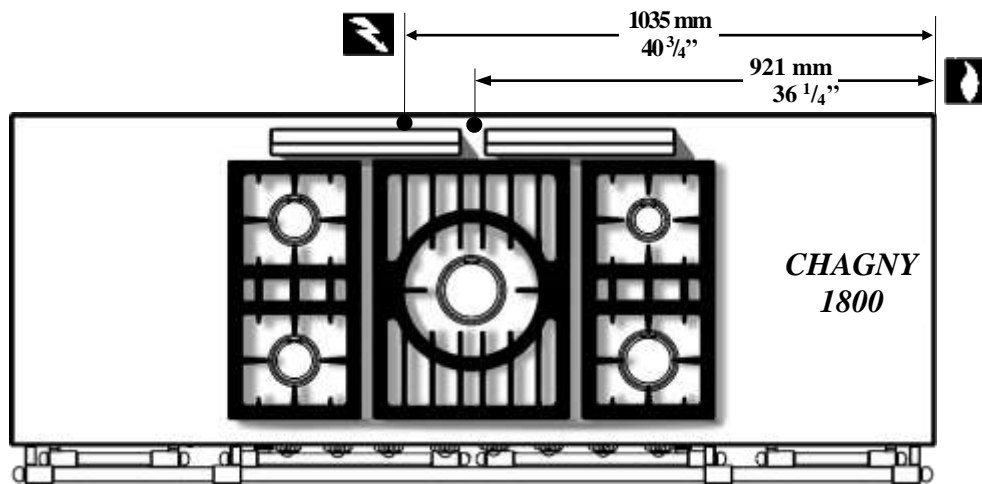


Fig. 2d

Layout:

5-burner cook's stove, 3 ovens (Figure 2). The work surfaces adjacent (CHAGNY 1400 & 1800, figures 2a, 2b, 2c & 2d) to the cooking surfaces are designed to accommodate one of the optional units in the LACANCHE range or to be used as a worktop (Figures 1, 1a, 1b, 1c, 1d & 2, 2a, 2b, 2c, 2d).

Description:

Cooking surface and body panels:

Enamelled steel or stainless body panels AISI 430.

Pressing cooking surface (stainless steel AISI 304) (Figures 2a, 2b, 2c & 2d). 5 burners of different size and power individually controlled by a safety valve. Electrical ignition. TRADITION™ model equipped with a 385 x 510 mm (15^{5/32}” x 20^{5/64}”) heating plate.

Gas oven:

Enamelled sheet metal. Dimensions L x D x H: 400 mm (15^{47/64}”) x 465 mm (18^{19/64}”) x 300 mm (11^{51/64}”). 3 shelf level with 70 mm spacing, 51 liters / 1.80 ft³. Heating provided by thermostatically controlled burner, thermocouple safety cut-outs. Electrical ignition.

Power supply: 13500 BTU / 120 VAC 60Hz.

Electric grill oven:

Enamelled sheet metal or stainless steel Z8C17.

Dimension L x D x H: 400 x 440 x 145

1 shelf level, 25 liters.

Thermostatically controlled roof and base heating elements, safety cut-out by safety thermostat. Oven: 1500 W, electric grill with a rating of 2400 W.

Rating: 1500/2400 W - Power supply: 240 VAC 60Hz.



GENERAL MANUAL

CHAGNY

Static electric oven (option):

Enamelled sheet metal. Dimensions L x D x H: 400 mm (15^{47/64}'') x 465 mm (18^{19/64}'') x 265 mm (10^{27/64}''). 3 shelf level with 70 mm spacing, 55 liters / 1.98 ft³. Thermostatically controlled roof and base heating elements, safety cut-out by safety thermostat. Electric grill 2100 W.

Rating: 2200 W – Power supply: 240 VAC 60Hz.

Ventilated electric oven (Option):

Heating provided by circular heating element surrounding a reaction fan. Dimensions L x D x H: 400 mm (15^{47/64}'') x 420 mm (16^{17/32}'') x 280 mm (11^{1/32}''). 3 shelf level with 70 mm spacing, 45 liters / 1.59 ft³ Electric grill 2100 W. Thermostatically controlled heating elements, safety cut-out by safety thermostat.

Rating: 2650 W – Power supply: 240 VAC 60Hz.

Accessories:

One shelf, a roasting pan per oven.

Shipment / Packaging:

Unpack and check the appliance is in good condition. In case damage, note any reservations on the delivery note and confirm them within 48 hours by registered letter with confirmation of delivery to the carrier.

Appliance	Width	Depth	Height mm / ''	Weight Gross/Net - Kg / lb
D US 10 01 5 0 T U S G - -	1130 mm / 44.5''	760 mm / 29.9''	1050 mm / 41.3''	120 kg /108 kg – 267 / 240 lb
D US 14 01 5 0 T U S G - -	1450 mm / 57.1''	840 mm / 33.1''	1070 mm / 42.1''	200 kg /180 kg – 445 / 400 lb
D US 18 01 5 0 T U S G - -	1850 mm / 72.8''	840 mm / 33.1''	1070 mm / 42.1''	275 kg /245 kg – 605 / 540 lb

Gas connection:

1/2'' ID NPT (Sch 40) inlet, on male coupling (Figures 1, 1a, 1b, 1c, 1d, 2a, 2b, 2c & 2d). Sealant on all pipe joints must be resistive to LP gas.

If used, a flex gas line for the gas supply must be metal of at least 1/2'' ID NPT approved by an approved certifying agency (A.G.A., C.G.A., etc.) in compliance with ANSI Z21.41 and Z21.69. Never use a hose made of rubber or other synthetic material.

Gas supplying:

Appliance gas supplying can be switched, please refer to rating plate and marking at the rear of the appliance. Gas Supply pressure must not exceed 0.5psi.

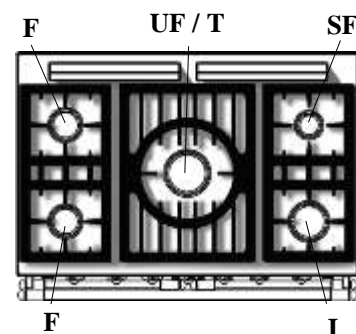
Electrical connection:

On terminal block at the rear of the appliance. Use flexible cord in accordance with standard N.E.C., AINSI/NEMA 70-1996 or latest edition (not cord provided) worktop (Figures 1, 1a,1b, 1c, 1d & 2, 2a, 2b, 2c, 2d).

Pressures and hourly consumption:

Appliance gas supplying can be switched (table 1).

Table 1		
PRESSURE	6'' WC	10'' WC
GAS	Natural Gas	L.P. Propane
Burner	Btu / hr	Btu / hr
Gas Oven	13500	11000
Top Burner 18000 (5)	18000	17000
Heating plate (C)	18000	17000
Top burner 15000	15000	13000
Top burner 11000	11000	10000
Top burner 5000	5000	5000



Fourneau
« *Chagny* »

INSTALLER'S MANUAL

Appliances must be installed in a workmanlike manner in accordance with the instructions in this manual and locally applicable regulations.

This manual will be handed over to the user after installation.



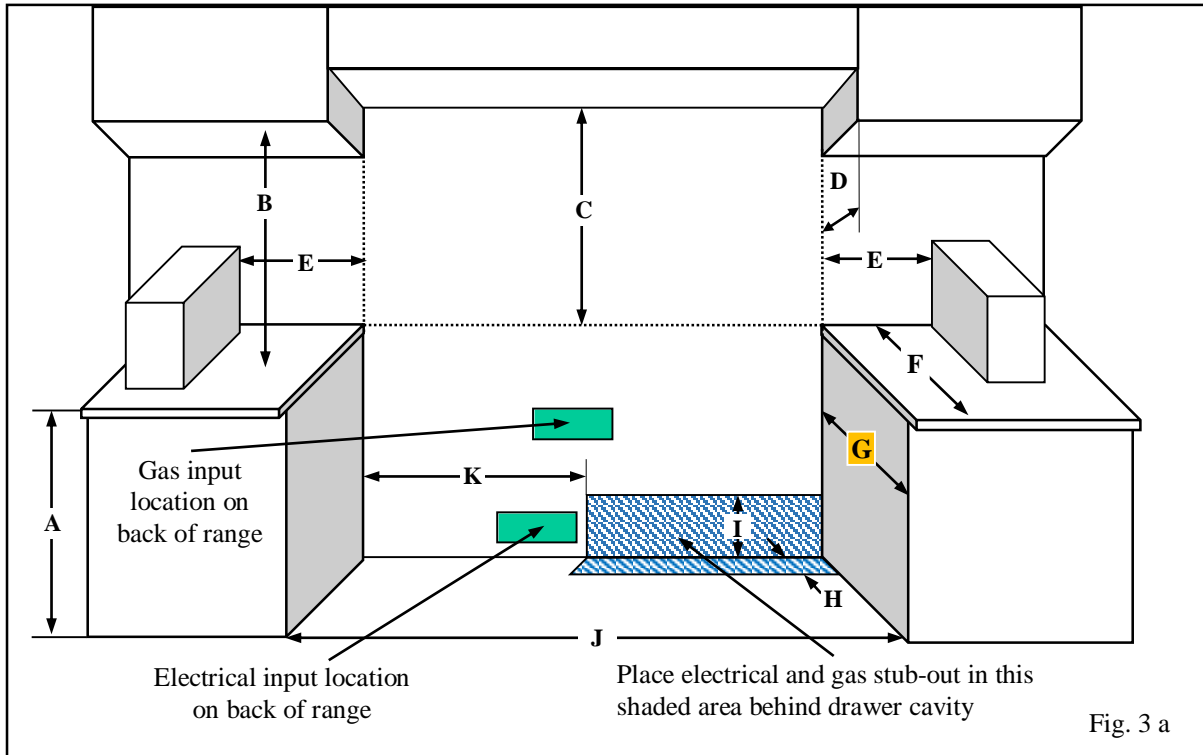




INSTALLER'S MANUAL

CHAGNY

☞ Cabinet preparation (CHAGNY):



ALL DEPTH MEASUREMENTS BELOW ARE WITH A 70mm (2 3/4") RANGE SPACER INSTALLED:

Range Height	A (min*)	B	C	D	E	F (max)	G (max)	H	I	J	K
Default	900mm 35 3/8"	457mm 18"	914mm 36"	330mm 13"	52mm 2"	720mm 28 3/8"	657mm 25 7/8"	152mm 6"	178mm 7"	1005mm 39 9/16"	457mm 18"
Optional	930mm 36 5/8"										

*All final range height dimensions are variable with the use of the adjustable range feet.
 Maximum added height for the **Roller Feet**: 16mm - 5/8", **Extended Leveling Feet** : 30mm - 1 3/16"

A flexible metal gas line, and a flexible power cord should be used to attach the range to the gas and electrical utility connections behind the range. When installed, the range wall spacer allows a 152mm (6") deep gap to run the utility lines behind the range chassis.



INSTALLER'S MANUAL

CHAGNY

☞ Cabinet preparation (CHAGNY 1400 LEFT):

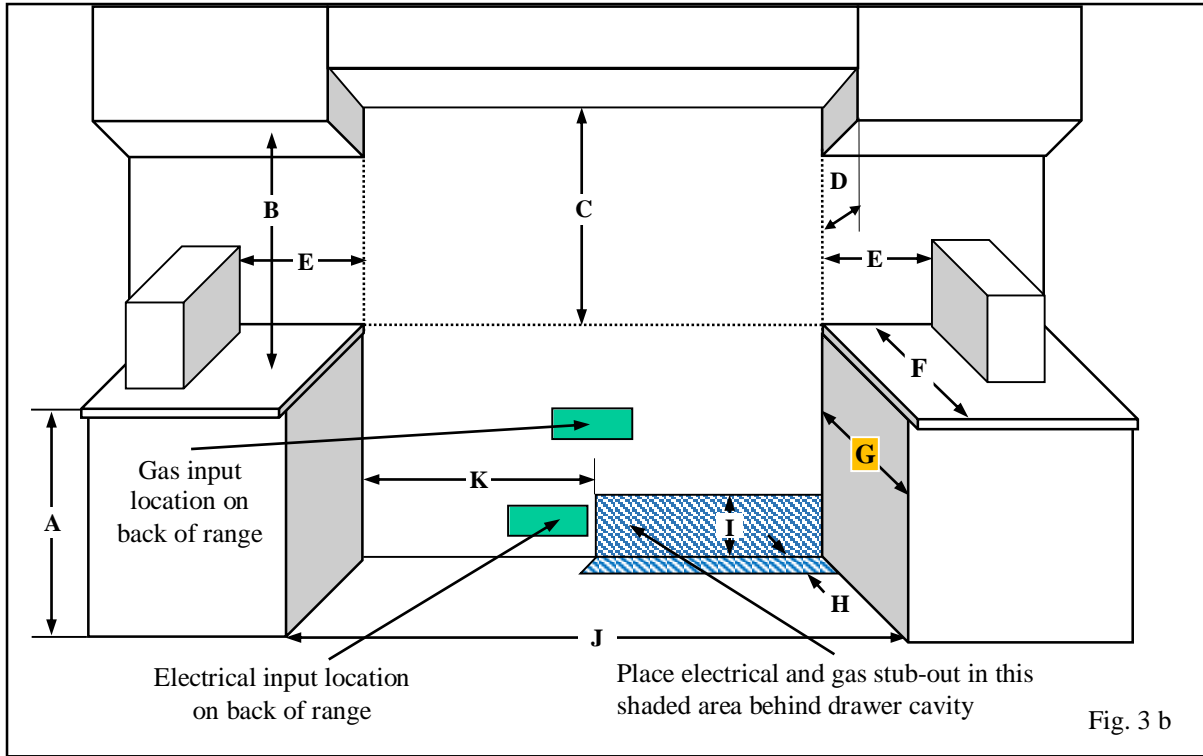


Fig. 3 b

ALL DEPTH MEASUREMENTS BELOW ARE WITH A 70mm (2 3/4") RANGE SPACER INSTALLED:

Range Height	A (min*)	B	C	D	E	F	G	H	I (max)	J (max)	K
Default	900mm 35 3/8"	457mm	914mm	330mm	52mm	720mm	657mm	152mm	178mm	1410mm	857mm
Optional	930mm 36 5/8"	18"	36"	13"	2"	28 3/8"	25 7/8"	6"	7"	55 1/2"	33 3/4"

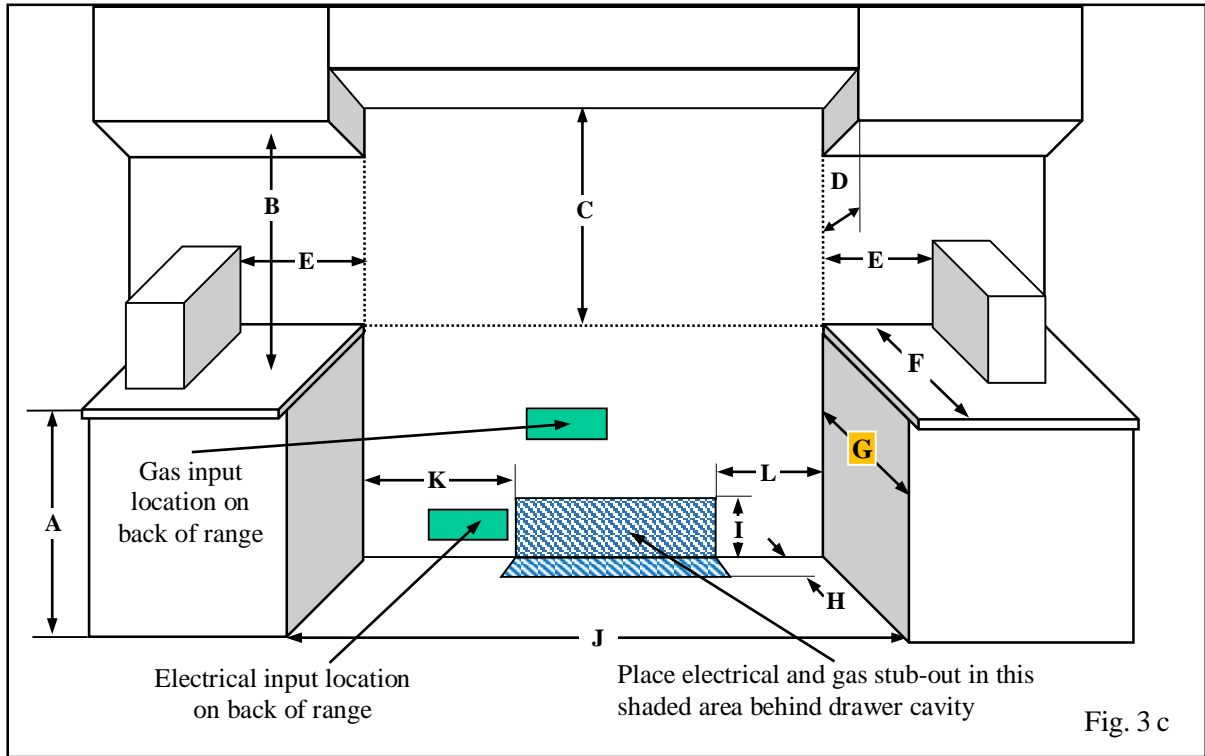
*All final range height dimensions are variable with the use of the adjustable range feet.
Maximum added height for the Roller Feet: 16mm - 5/8", Extended Leveling Feet : 30mm - 1 3/16"



INSTALLER'S MANUAL

CHAGNY

☞ Cabinet preparation (CHAGNY 1400 RIGHT):



ALL DEPTH MEASUREMENTS BELOW ARE WITH A 70mm (2 3/4") RANGE SPACER INSTALLED:

Range Height	A (min*)	B	C	D	E (max)	F	G (max)	H	I	J	K	L
Default	900mm 35 3/8"	457mm	914mm	330mm	52mm	720mm	657mm	152mm	178mm	1410mm	457mm	400mm
Optional	930mm 36 5/8"	18"	36"	13"	2"	28 3/8"	25 7/8"	6"	7"	55 1/2"	18"	15 3/4"

*All final range height dimensions are variable with the use of the adjustable range feet.
Maximum added height for the Roller Feet: 16mm - 5/8", Extended Leveling Feet : 30mm - 1 3/16"



INSTALLER'S MANUAL

CHAGNY

🔧 Cabinet preparation (CHAGNY 1800):

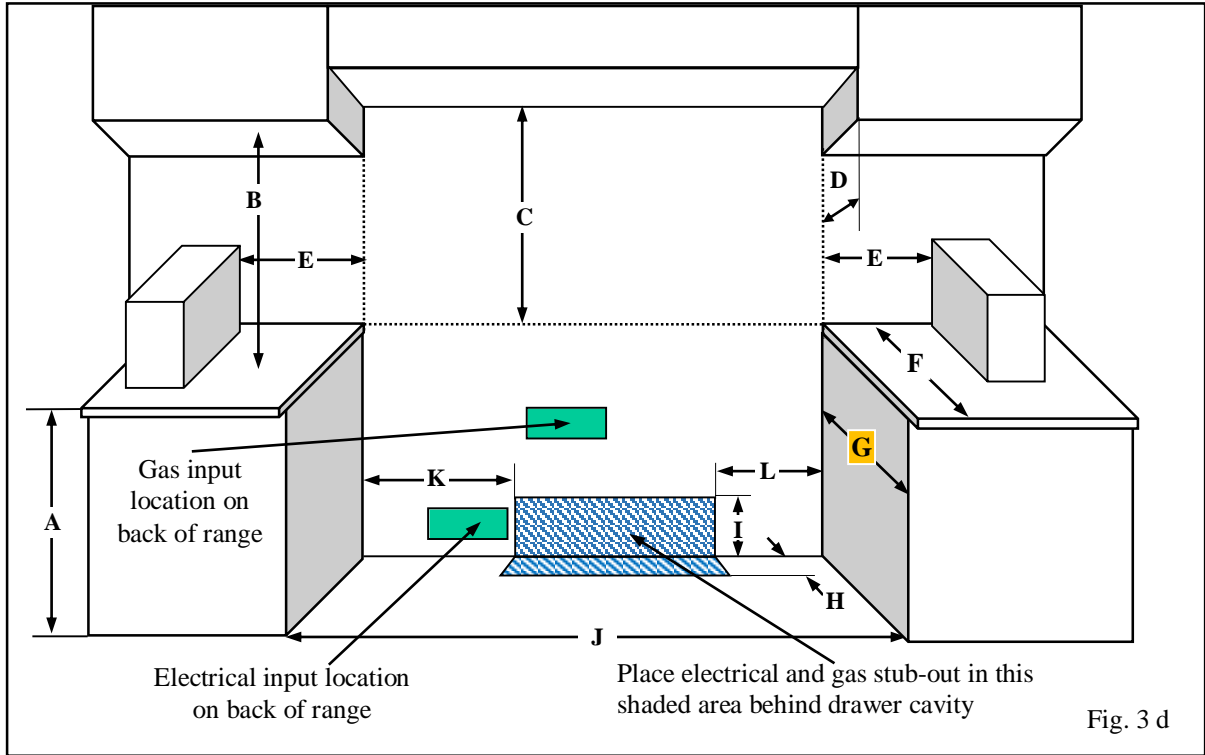


Fig. 3 d

ALL DEPTH MEASUREMENTS BELOW ARE WITH A 70mm (2 3/4") RANGE SPACER INSTALLED:

Range Height	A (min*)	B	C	D	E	F (max)	G (max)	H	I	J	K	L
Default	900mm 35 3/8"	457mm	914mm	330mm	52mm	720mm	657mm	152mm	178mm	1810mm	857mm	400mm
Optional	930mm 36 5/8"	18"	36"	13"	2"	28 3/8"	25 7/8"	6"	7"	71 1/4"	33 3/4"	15 3/4"

*All final range height dimensions are variable with the use of the adjustable range feet.
Maximum added height for the Roller Feet: 16mm - 5/8", Extended Leveling Feet : 30mm - 1 3/16"

IMPORTANT

- The range is a free standing unit. If the unit is to be placed next to cabinets, the clearances shown in Figure 3, 3a, 3b, 3c & 3d are required.
- The range cooktop surface must be no lower than the adjacent base cabinet countertop surface.
- Min clearances to combustibles:
 - 0" (0 mm) from rear (with spacer installed).
 - 0" (0 mm) from sides **below** countertop surface height.
 - 2" (51 mm) from sides **above** countertop surface height.
 - 36" (914mm) above the plane of the cooking surface.
- Use range only with factory supplied legs.



INSTALLER'S MANUAL

CHAGNY

IMPORTANT

- **Recommended to be installed under an exhaust hood.**
- **In the commonwealth of Massachusetts, the appliance must be installed by a licensed plumber or gas fitter.**
- **Do not install this unit near combustible walls, partitions, pieces of furniture or decorative material unless these are covered by adequate material of the non-combustible type.**
- **Make sure the resulting installation meets fire regulations.**

IMPORTANT

- **THE APPLIANCE MUST BE INSTALLED IN ACCORDANCE WITH THE LOCAL CODES OR *National Fuel Gas Code, ANSI Z223.1 or latest edition.***

IMPORTANT

- **Manual shut-off valve should be installed in an accessible location in the gas piping external to the appliance for the purpose of turning on or shutting off gas to the appliance. A location behind one of the storage drawers or at the back of an adjacent cabinet is recommended.**

☞ Before connection:

Check:

- Pipework is perfectly clean in order to prevent the injectors becoming blocked and malfunctioning of the magnetic heads.
- The gas for which the appliance was set up: Rating plate and markings.
- Cross-sectional area of gas supply pipework is compatible with the appliance's thermal output.
- Provide adequate air supply during use of the appliance.

☞ Gas connection:

Female coupling Ø 15/21, 1/2" ID NPT on **A** (Figure 4). Not to exceed 0.5psi input pressure.

☞ After connection:

Check the manifold pressure on pressure connection Ø 15/21, 1/8" NPT on **B** (Figure 5).

☞ Change of gas:

The appliance is designed to operate with the gases in Table 2.

Table 2		
Country	GAS	Pressure (Pn)
U.S.	Natural gas	6" WC
U.S.	L.P. propane	10" WC



Fig. 4

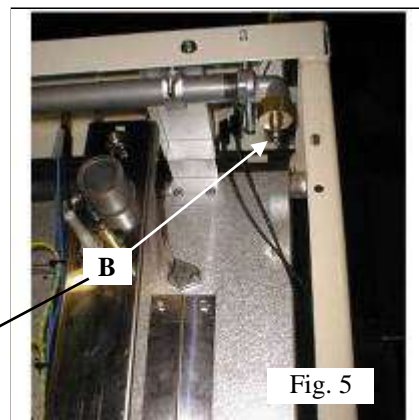


Fig. 5



With gas oven



INSTALLER'S MANUAL

CHAGNY

Unscrew the screws **C** near the burners' openings (Figures 6 and 7). Pull and raise the top after having loosened the 2 screws **D** (Fig. 8, CHAGNY, CHAGNY 1400-1800), then prop up the cooking surface.

A pressure regulator (fig. 9) is located in the right rear corner under the hob, to gain access to the pressure regulator, remove the cooktop.

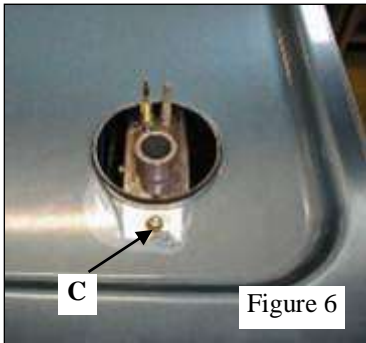


Figure 6

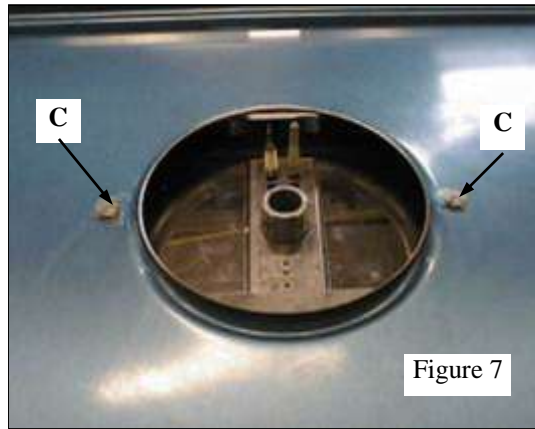


Figure 7

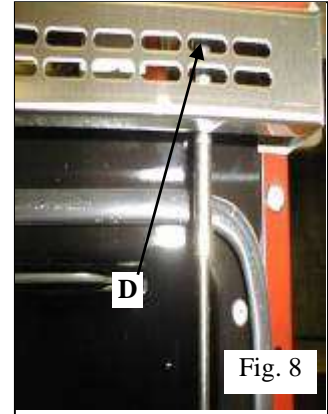


Fig. 8

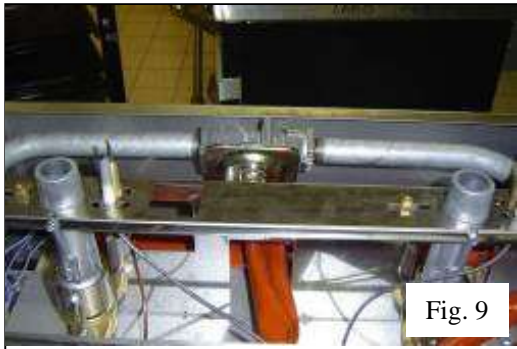


Fig. 9

Convertible regulator

The reversible cap is labeled either « LP » or « Nat » and is easily recognized by the raised center screw slot (for natural) or the center depth (for LP).

To change LP to Natural or vice versa, the seal screw in the regulator lid is unscrewed, reversed and reinstalled to convert from one setting to another (Figure 12).



Fig. 11

Nat Setting



Fig. 12

LP Setting



INSTALLER'S MANUAL

CHAGNY

In case of use with a gas other than that for which the appliance was initially set up, it is **crucial** to replace the orifices and modify the adjustments as defined below.

TOP BURNERS

Orifice

Lift the air ring **E**. Replace the injectors **F** in accordance with Table 3 and Figure 13 (\varnothing in 1/100 mm).

The side burner bodies are kept in place by a transversal bar (**H**, fig. 15). In order to take them out, unscrew screws **I** (fig. 16) then **G** (fig. 14).

Note : When one or more nozzles are changed, the sealing ring should be changed as well (see gas circuit diagram).

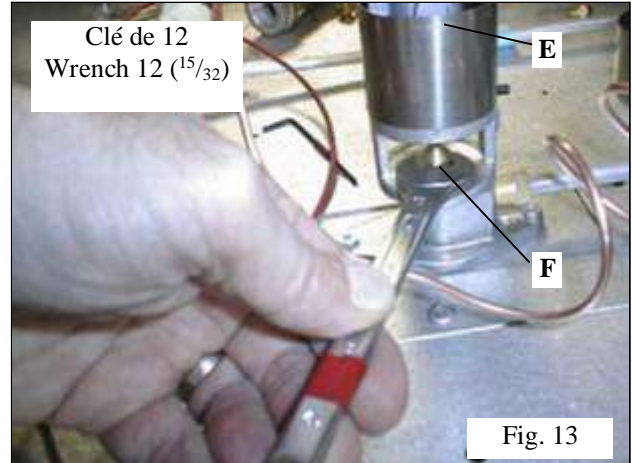


Fig. 13

Adjustment of primary air

Put body & cap back on their respective burners, set air ring **E** by sliding it from bottom to top (fig. 13, Table 4).

Note : Normal flames are bluish green except for natural gas flames which are violet.

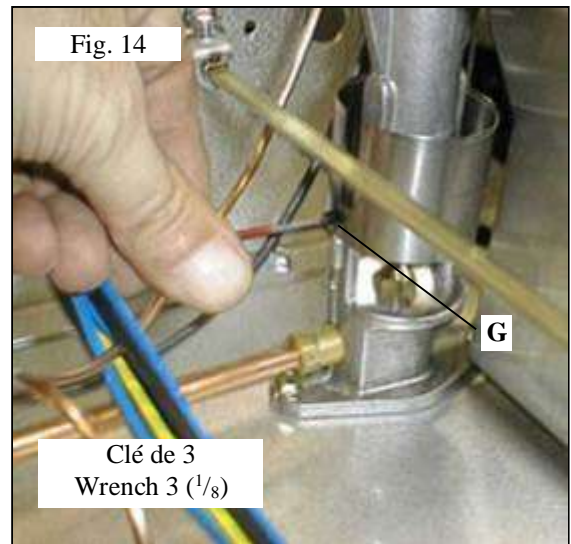


Fig. 14

Clé de 3
Wrench 3 (1/8)

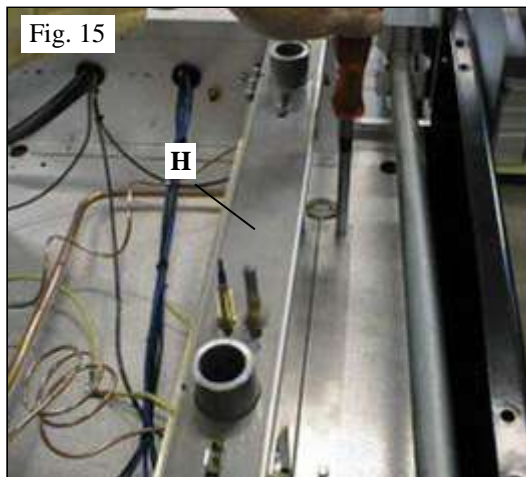


Fig. 15

H

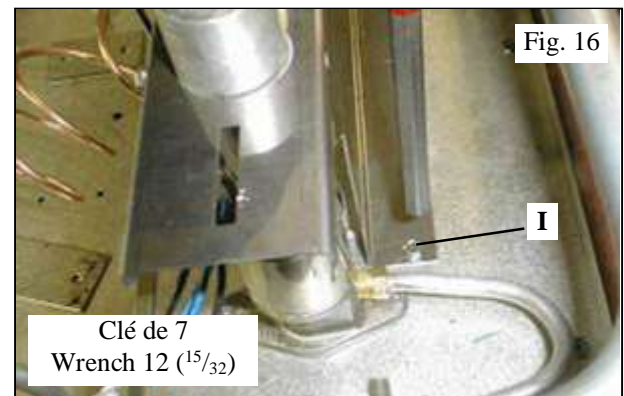


Fig. 16

Clé de 7
Wrench 7 (15/32)

I

Table 3

Top burners		5000	11000	15000	18000
GAS	Pressure				
Natural gas	6" WC	0.90	1.30	1.45	1.70
L.P. propane	10" WC	0.65	0.90	1.05	1.20

Table 4

Top burners		5000	11000	15000	18000
GAS	Pressure	Opening / inches			
Natural gas	6" WC	2,5 / 1/8	2,5 / 1/8	max	7 / 1/4
L.P. propane	10" WC	3,5 / 1/8	max	max	max



INSTALLER'S MANUAL

CHAGNY

Adjustment of reduced flow rate of surface burners **(Figure 17) :**

After connection or change of gas, it is **crucial** to modify this adjustment.

- Light the burner; adjust to minimum setting, remove the control knob, move/rotate the ignition switch to expose the adjustment screw **J** and then use a small screwdriver to set the screw.

Note: Flame is reduced to ¼ of its size in the minimum setting; the burner must remain lit when changing from maximum setting to minimum setting.

Refitting the cooking surface:

When refitting the cooking surface, it is vital to tighten fastening screws (figures 6 and 7). Failure to do so can cause distortion of the cooking surface.

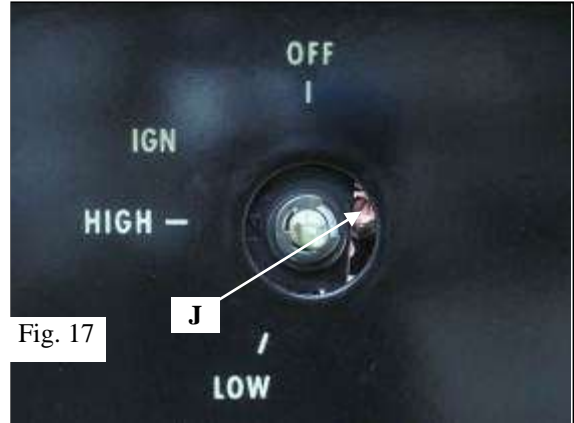


Fig. 17

OVEN BURNERS:

Dismounting oven burner

Remove the oven sole (Fig.18).

CAUTION: when refitting place the base underneath the groove on the fascia (fig.19).

Unscrew the screw **K** holding the burner (Fig.20).

Remove the tray.

Unscrew the screw **L** (Fig.21).

Push the burner to the bottom of the oven and lift to remove it.

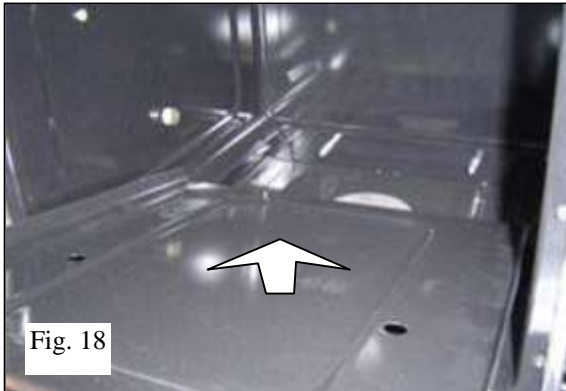


Fig. 18

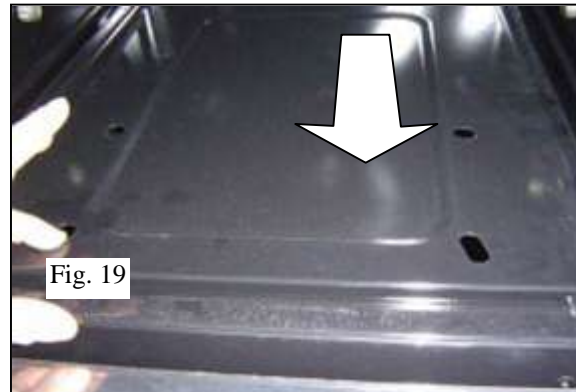


Fig. 19

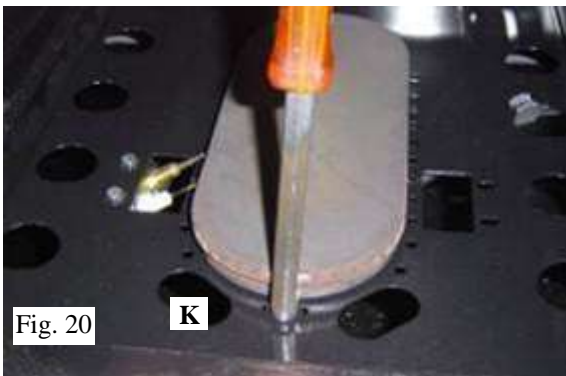


Fig. 20

K

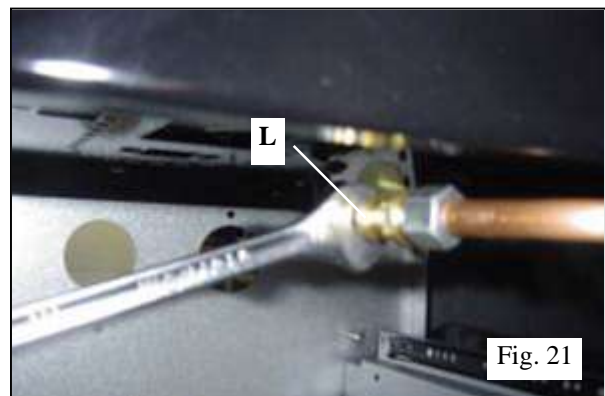


Fig. 21

L

Oven orifice :

Remove the base, **CAUTION:** when refitting place the base underneath the groove on the fascia (Figures 18 and 19).

Remove the oven burner.

Disconnect the connection piece, unscrew screw **M** on the orifice holder (Figure 22). Replace the orifice (Table 5).



INSTALLER'S MANUAL

CHAGNY

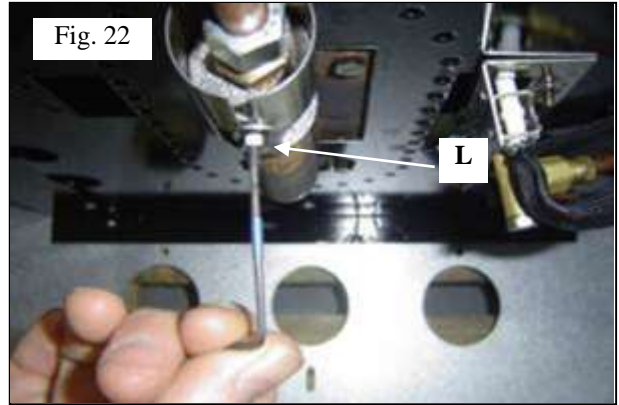
☛ Pilot burner orifice:

Change the pilot burner orifice

Gas pilot LP: 65103032

Gas pilot NG: 65103031

Table 5			
		Ø	
GAS	Pressure	Gas oven	Pilot burner
Natural gas	6" WC	1.40	0.45
L.P. propane	10" WC	0.95	0.25



☛ Adjustment of oven primary airflow:

Remove the base, unscrew the screw **K** holding the burner (Fig.20).

Adjust the air ring (Table 6, Figure 23).

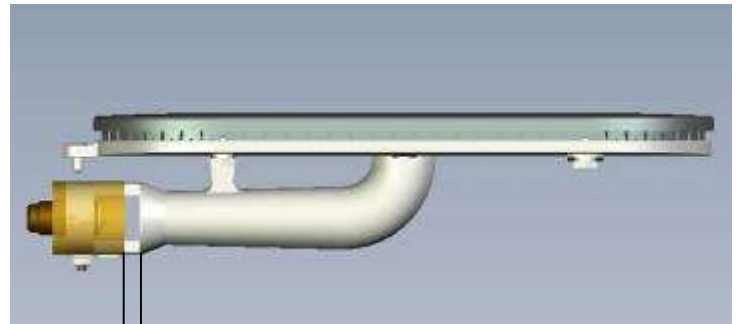


Fig. 23

Table 6		
		Opening in mm / inches
GAS	Pressure	Oven
Natural Gas	6" WC	4 / ³ / ₁₆
L.P. propane	10" WC	6 / ¹ / ₄

☛ Adjusting pilot burner air supply

Turn ring **P** to fully open for Butane/Propane, to half open for natural gas (Figures 24)

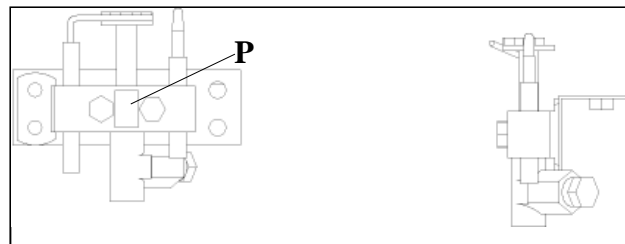


Fig. 24



INSTALLER'S MANUAL

CHAGNY

ELECTRICITY

IMPORTANT

➤ **ALL WORK ON OR REPAIR OF AN APPLIANCE MUST BE CARRIED OUT BY A QUALIFIED INSTALLER.**

➤ **THE APPLIANCE WHEN INSTALLED, MUST BE ELECTRICALLY GROUNDED IN ACCORDANCE WITH THE LOCAL CODES OR *The National Electrical Code, ANSI/NFPA 70-1996 or latest edition.***



It is hazardous to put the appliance into service without connecting it to suitable ground.

No liability can be accepted for accidents resulting from non-compliance with this requirement or incorrect grounding. Connect the equipotential bonding terminal (N, Figure 25).

☞ Before connection, check that the:

Mains voltage is compatible with the appliance's rated voltage and thermal output.

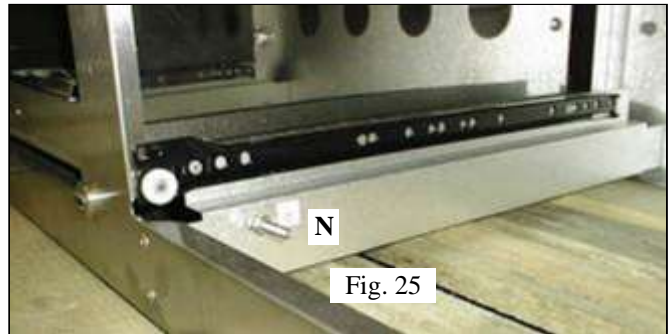


Fig. 25

☞ Connection:

- Use a 4-wire appliance cord rated for 30 A 125 / 250 VAC, type SRD, SRDT, S, SO or ST.
- Where local Codes do not permit grounding through neutral, use a 4-wire power supply cord or "pigtail" kit. Cord must be agency approved for use with household ranges.
- Remove access door **O** (Figure.26, gas oven range) or **P** (Figure 27, gas and electric range).
- Connect to terminal block in accordance with figure 29.
- Secure the cable by means of cable clamp (no provided), item **Q** (Figure 28).
- Refit access door

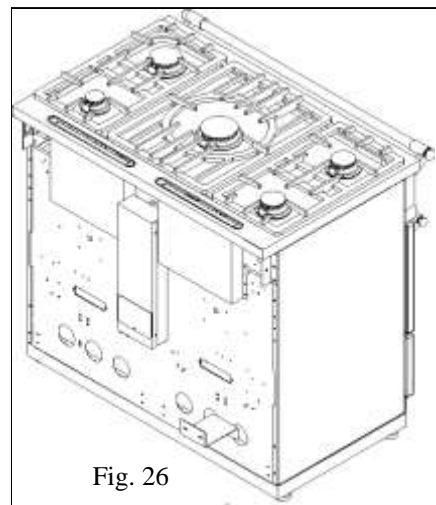


Fig. 26



INSTALLER'S MANUAL

CHAGNY

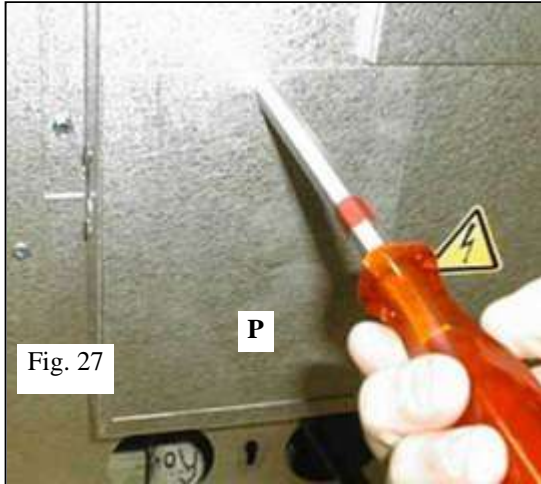


Fig. 27

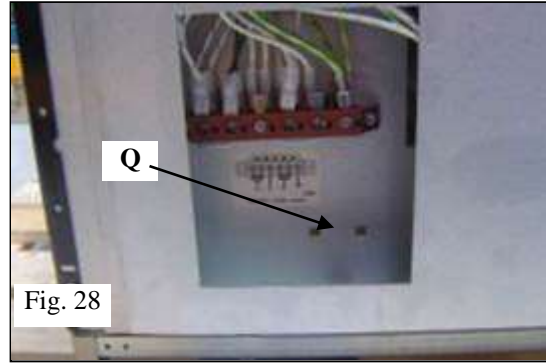


Fig. 28

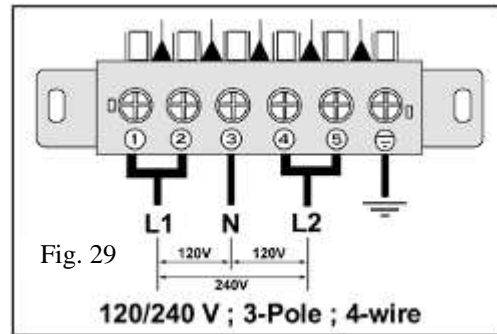


Fig. 29

BACK SPACER FITTING:

It is mandatory to mount the back spacer vent **R** (or equivalent) to the wall supplied with the appliance.

Screw the 2 brackets to the wall according to figures 30, 31 and 32 (screws not supplied), then fit the back spacer vent onto these brackets by dropping the back lip over the top of the brackets.

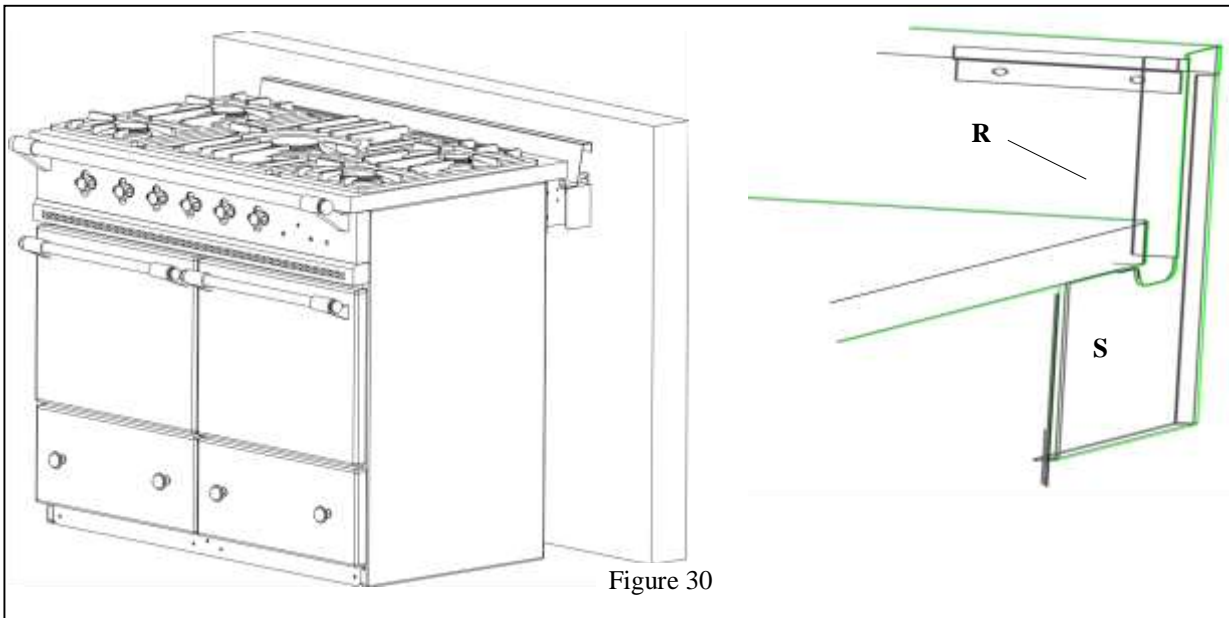


Figure 30



INSTALLER'S MANUAL

CHAGNY

STABILITY DEVICE INSTALLATION INSTRUCTIONS:

Screw the anti-tip bracket **T** to the wall according to figures 31, 32 and 33 (screws not supplied).

Remove the left-hand drawer, push the range against the wall until the anti-tip bracket screw goes through the back of the range. Through the drawer gap, screw the nut and its washer on the anti-tip bracket screw.

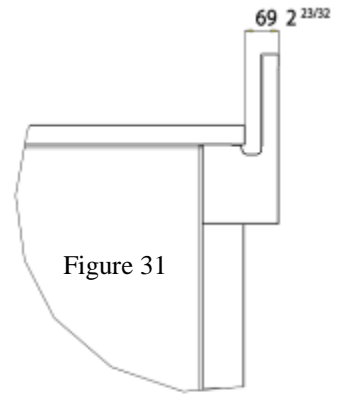


Figure 31

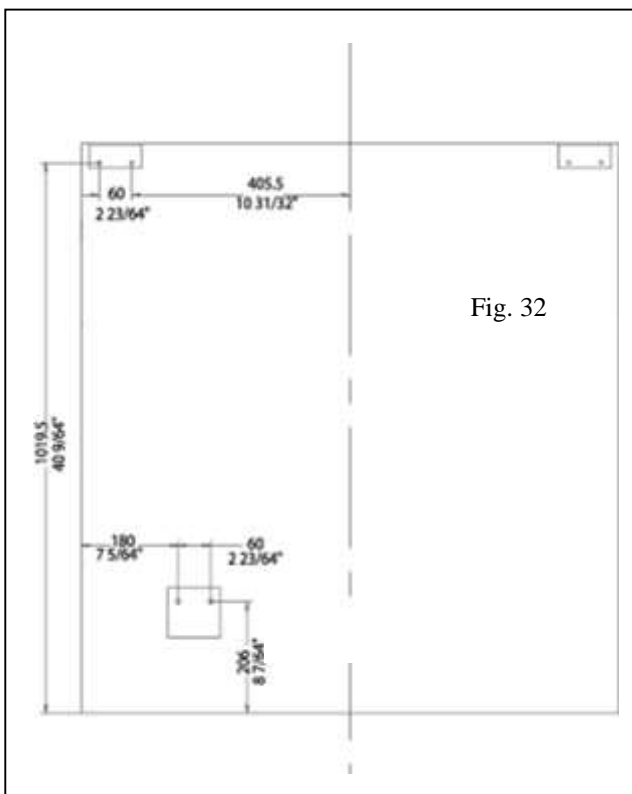


Fig. 32

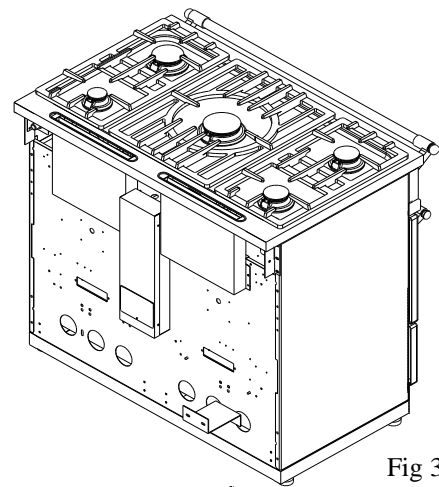


Fig 33



INSTALLER'S MANUAL

CHAGNY

SERVICE INSTRUCTIONS:

- Lubricating gas valve.

If the gas taps tends to stick slightly, you may follow this procedure:

- 1 - Shut off the valve and / or the main electrical supply of the unit.
- 2 - Take out the knob corresponding to the gas valve to be greased.
- 3 - Unscrew the head from the body of the burner valve.
- 4 - Grease the tap shaft (High temperature lubricant, for example: SILICAL GEL™ BARBAHL).

Caution! Any excess grease should be removed.

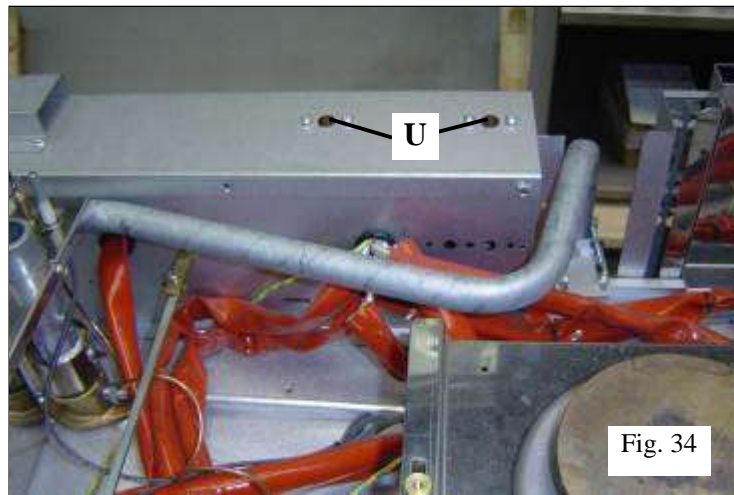
Reverse operation 3 to 1 (in that order) to put valve and knob back on.

- Limiting thermostat:

To access internal components. Lift and secure top.

Press pushbutton item **U** (Figure 34) in order to reset the limiting thermostat.

Note: **ALWAYS IDENTIFY** the reason why the thermostat tripped.





INSTALLER'S MANUAL

CHAGNY

GAS CIRCUIT DIAGRAMME

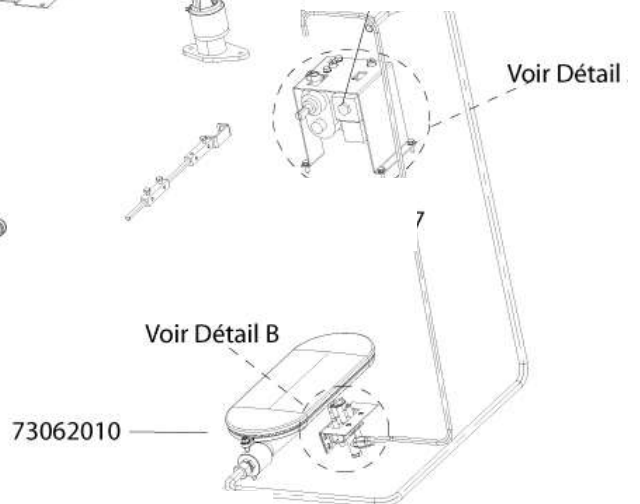
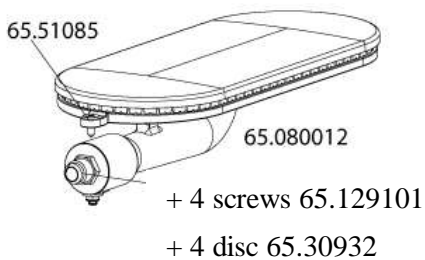
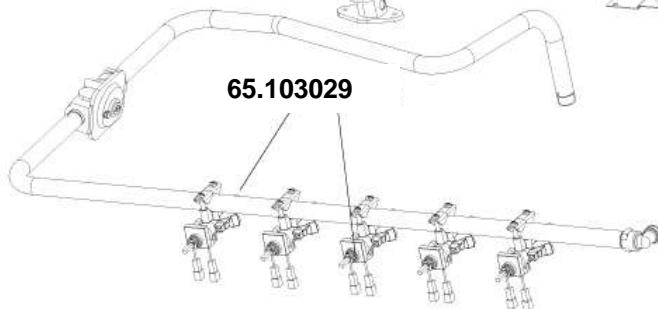
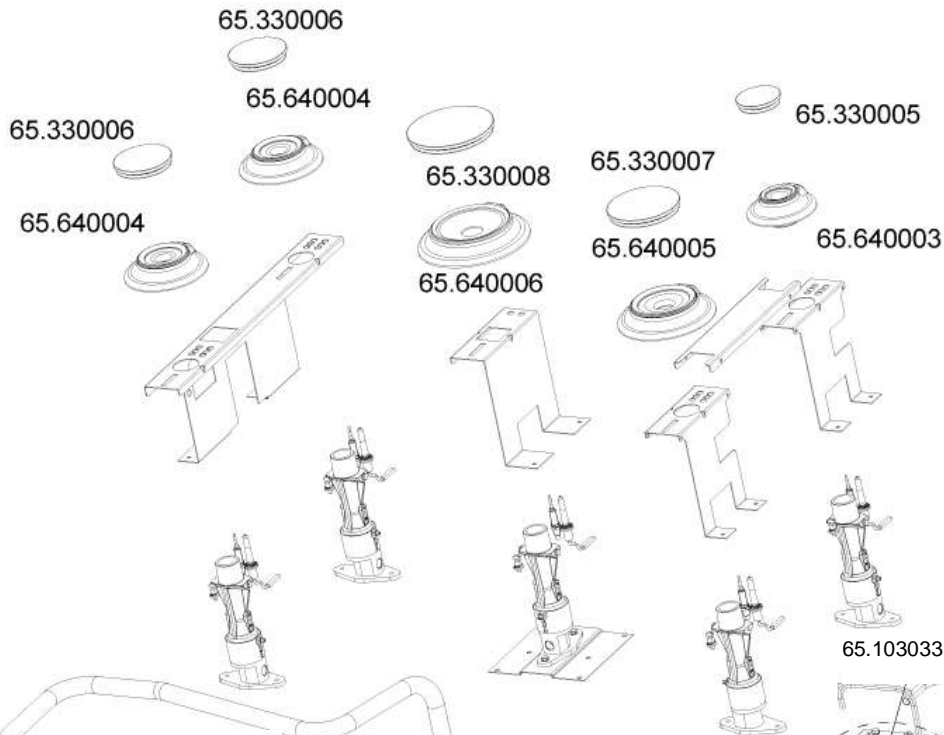
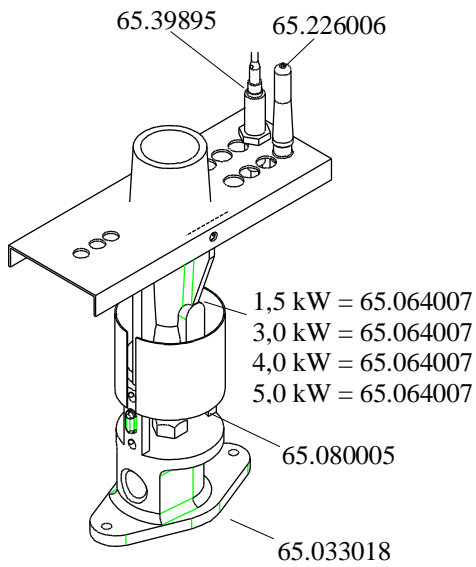
Designation	Part number
Burner cap 1,5 kW	65.330004
Burner cap 3,0 W	65.330005
Burner cap 4,0 kW	65.330006
Burner cap 5,0 kW	65.330007
Burner bowl 1,5 kW	65.640008
Burner bowl 3,0 kW	65.640004
Burner bowl 4,0 kW	65.640005
Burner bowl 5,0 kW	65.640006
Air Shuttler	65.080005
Mixing tube (1,5-3,0-4,0 & 5,0 kW)	65.064007
Injector holder	65.033018
Sealing ring	65.430007
Injector Dia. 65	65.14964
Injector Dia. 90	65.14969
Injector Dia. 95	65.14970
Injector Dia. 105	65.52863
Injector Dia. 120	65.14973
Injector Dia. 130	65.14974
Injector Dia. 140	65.14975
Injector Dia. 145	65.27781
Injector Dia. 170	65.30546
Brass knob (Gas model)	65.044013
Chrome knob (Gas model)	65.044014
Brass knob (Elec. model)	65.044015
Chrome knob (Elec. model)	65.044016
Regulator	65.103023
All oven burner	73.062010
Injector holder	65.51764
Oven burner	65.080012
Screw	65.51085
Reducing fitting	65.129099
Thermocouple	65.103024
Pilot burner LP	65.103032
Pilot burner NG	65.103031
Oven electrode	65.103004
Switch	65.28979
Spiggott rod	59.907379
Oven thermostat	65.53670
Top burner valve	65.103029
Oven burner valve	65.103033



INSTALLER'S MANUAL

CHAGNY

GAS CIRCUIT DIAGRAMME



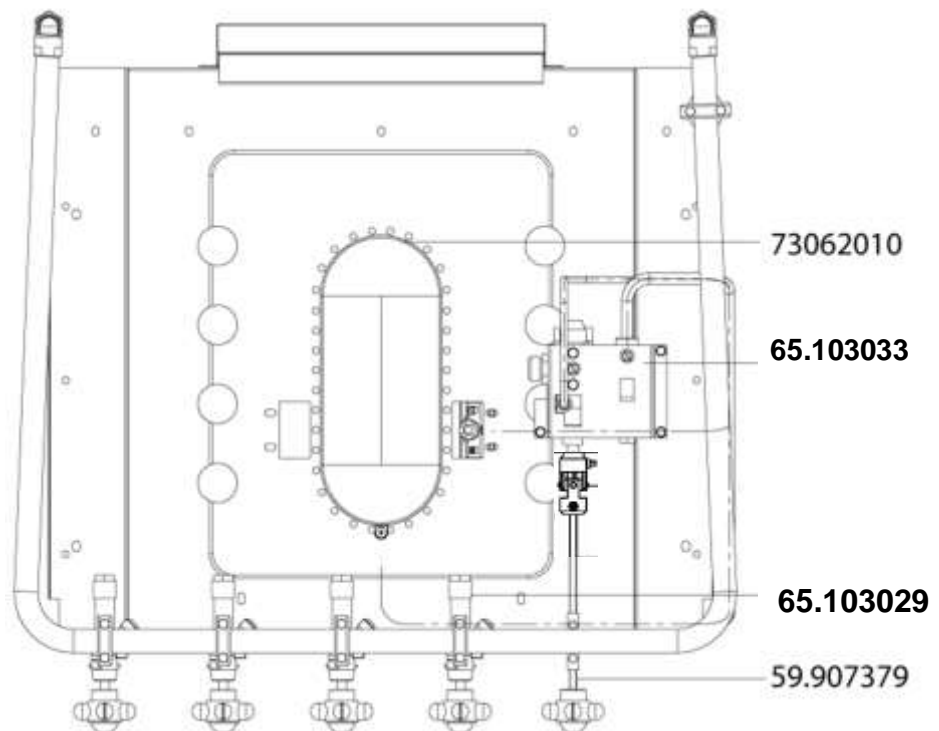
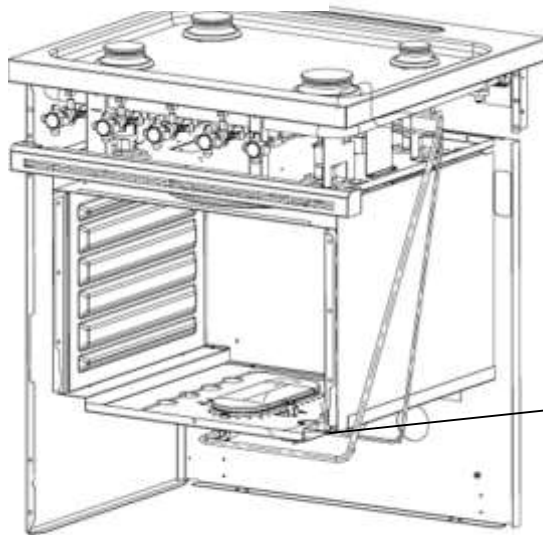
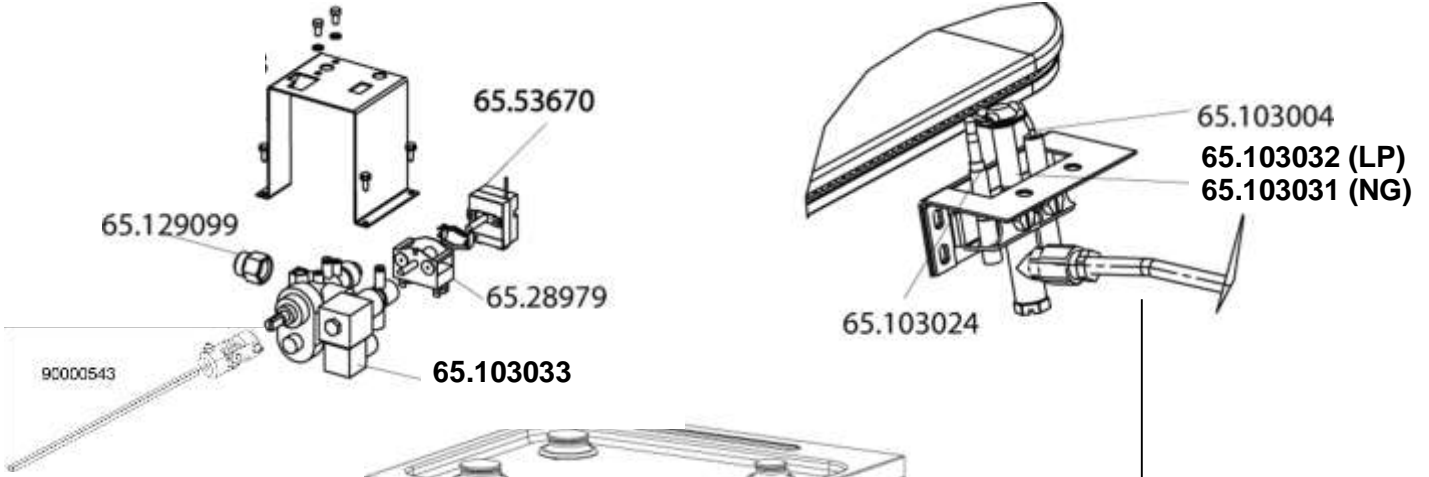


INSTALLER'S MANUAL

CHAGNY

Détail A :

Détail B :





INSTALLER'S MANUAL

CHAGNY

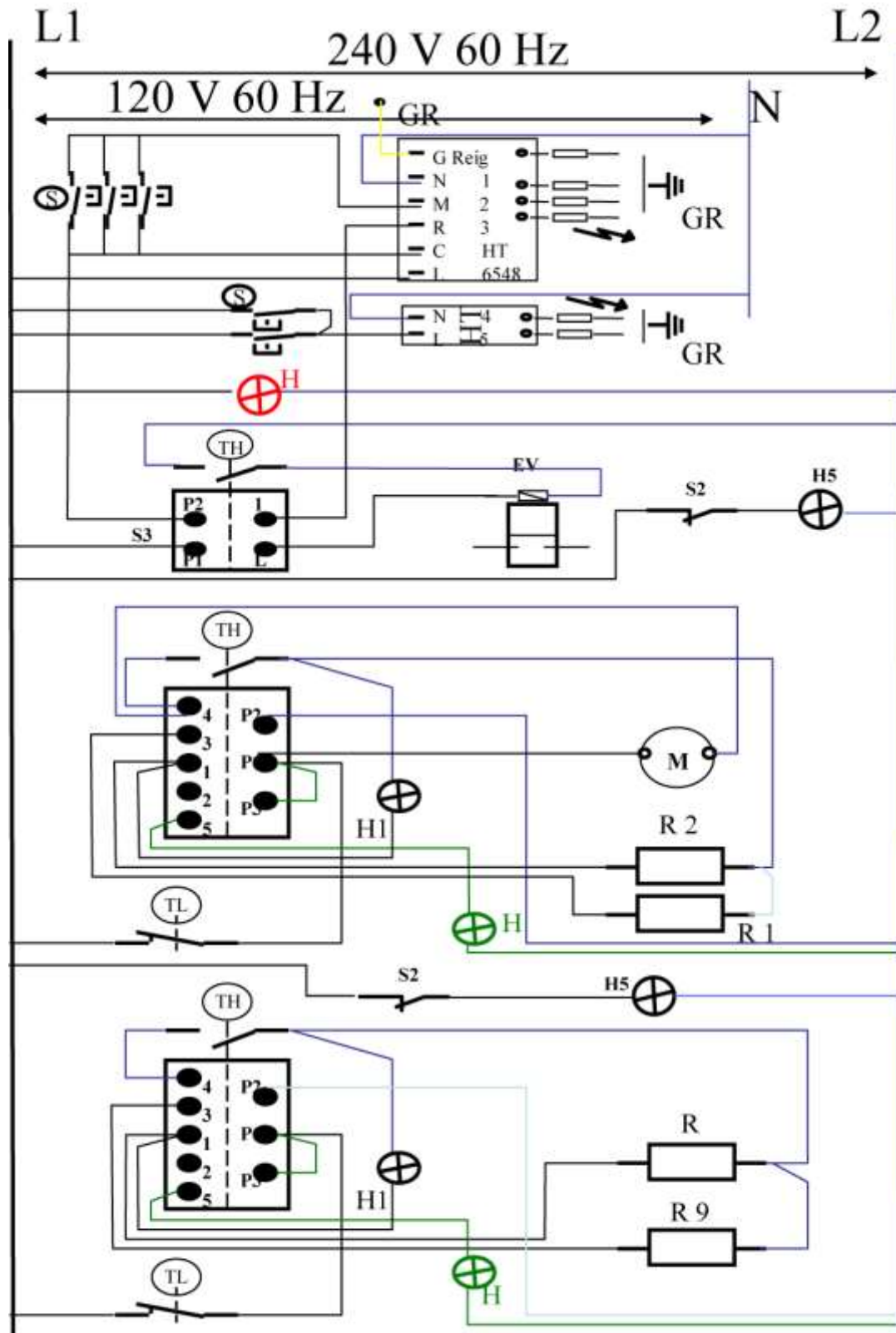
ELECTRIC CIRCUIT DIAGRAMS

		LG 1053 G	LG 1053 GE	LG 1053 GCT	LG 1053 GCT + Grill	LG 1053 E	LG 1053 ECT
Item n°	Designation	Part number					
TL	Three pole limiting thermostat		65.224003	65.224003	65.224003	65.224003	65.224003
TH	Oven thermostat		65.53670	65.53670	65.53670	65.53670	65.53670
S	Valve switch	65.222002	65.222002	65.222002	65.222002	65.222002	65.222002
S1	Thermostat switch	65.222003	65.222003	65.222003	65.222003		
S2	Thermostat switch		65.52194	65.52194	65.52194	65.52194	65.52194
B	Top burner electrode	65.226006	65.226006	65.226006	65.226006	65.226006	65.226006
B1	Oven burner electrode	65.103024	65.103024	65.103024	65.103024		
A	Spark Module (3+1 reign.)	65.226005	65.226005	65.226005	65.226005		
A1/HT	Spark Module (2)		65.226002	65.226002	65.226002	65.226002	65.226002
X	Terminal block	65.51922	65.51785	65.51785	65.51785	65.51785	65.51785
R	Bake element oven		65.36147			65.36147	65.36147
R1	Broil element oven		65.30051		65.30051	65.30051	65.30051
R2	Convection element			65.27752	65.27752		65.27752
M	Convection Fan Motor			65.260001	65.260001		65.260001
H	Red Lamp	65.231004	65.231004	65.231004	65.231004	65.231004	65.231004
H1	Orange Lamp		65.231005	65.231005	65.231005	65.231005	65.231005
S3	Selector	65.28979	65.28979	65.28979	65.28979	65.28979	65.28979
EV	Valve	65.103033	65.103033	65.103033	65.103033		



INSTALLER'S MANUAL

CHAGNY



SCE2_014

«LACANCHE»

USER'S MANUAL

IMPORTANT

Provide adequate air supply during use of the appliance.

Provide adequate clearances for servicing and proper operation by not obstructing front or side of appliances.

WARRANTY

The warranty is stated on the sales contract. Please contact your approved Dealer if any work has to be carried out under warranty.

This warranty excludes damage resulting from incorrect installation, improper use or inadequate servicing.







USER'S MANUAL

CHAGNY

SAFETY INSTRUCTIONS



- **If the range is to be installed on an area covered with linoleum or any other floor covering, make sure that the floor covering can withstand 90 F (65°C) above room temperature without warping, shrinking or discoloring. Do not install the range over carpeting.**
- **Never store anything in the oven or the cooktop. Flammable materials can catch fire, plastic items may melt or ignite and other types of items could be ruined.**
- **This appliance is for cooking. Based on safety considerations, never use the oven or cooktop to warm or heat a room. Doing so may result in carbon monoxide poisoning and overheating of the oven. Also, such use can damage the cooktop or oven parts.**
- **Never cover any slots, holes or passages in the oven bottom or cover an entire rack with materials such as aluminium foil. Doing so blocks air flow through the oven and may cause carbon monoxide poisoning.**
Aluminium foil linings may also trap heat, causing a fire hazard.
- **Do not obstruct the flow of combustion or ventilation air to the appliance. Be sure a fresh air supply is available.**
- **When using the cooktop, do not touch the burner grates or the immediate surrounding area. Areas adjacent to the burners may become hot enough to cause burns.**
- **Do not hang articles from any part of the appliance or place anything against the oven. Some fabrics are quite flammable and may catch on fire.**
- **Children should not be left alone in the kitchen while the range is in use. Do not store items of interest to children over the unit. Children climbing to reach items could be seriously injured.**
- **Do not use aluminium foil to line any part of the oven or cooktop.**
- **When using the oven, do not touch the interior surfaces of the oven, the exterior area immediately surrounding the door or the back spacer.**
- **Disconnect from power supply before servicing.**



USER'S MANUAL

CHAGNY

GAS SURFACE BURNERS

Highly valued by chefs because of their fast heating and ease of use, gas flame burners have always been traditional heat sources for cooking in large kitchens. Other heat sources have appeared in recent years but just as many users still prefer gas. It offers many advantages; gas provides a fast increase in temperature. The height of the flame can be checked easily at a glance in order to increase or reduce its power.

Lacanche gas hobs for cook's stoves are fitted with burners of different ratings. These automatically stabilised flame burners offer a very low slow setting to facilitate simmering or high heat for quick sealing. Depending on their rating, they are suitable for various types of utensils.

Top burner 5000: is recommended for small sauceboats, small saucepans or blinis pans for example. A reducing adapter can be placed on the pan support in order to obtain greater stability (§ accessories)

Top burners 15000 & 11000: are ideal for shallow frying pans, saucepans and cooking pots. Their high output provides very fast increases in temperature and very flexible use.

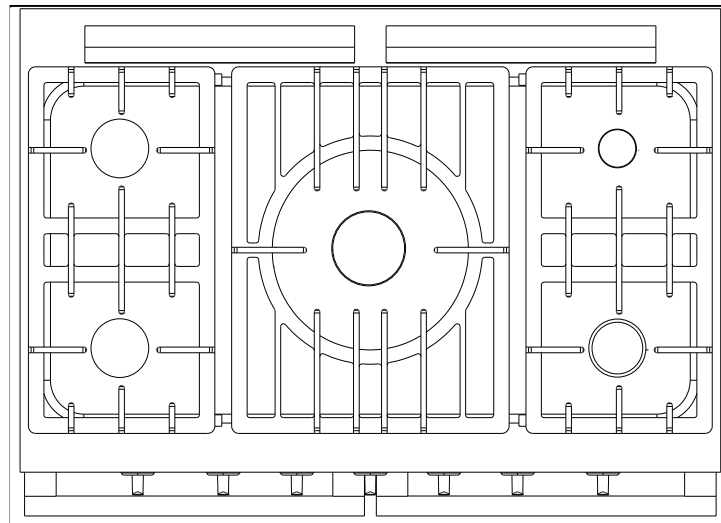
Top burners 18000: is a high-power burner. It is especially recommended when using large utensils up to 40 cm in diameter for slow cooked dishes (pot au feu, cassoulet, jams, etc.) or dishes that have to be sealed quickly (fricassees, fritters, grilled meat).

You will quickly learn how to use the various types of burners to achieve optimum cooking.

Description:

The burners are arranged on a stainless steel hob in various configurations depending on the model.

Each burner is equipped with electronic spark ignition.



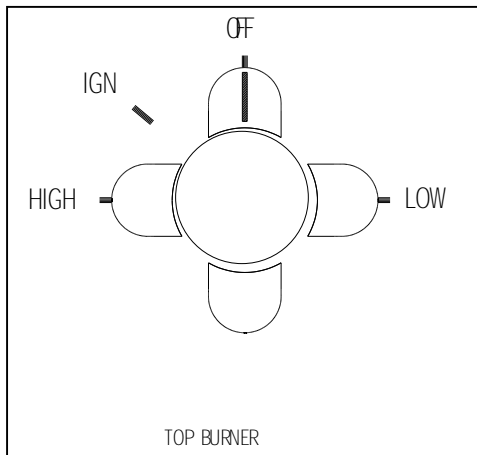
The various types of burners can be identified by their respective diameter.

Designation	Burner diameter
Top burner 18000	Ø 106mm (4 3/16")
Top burner 15000	Ø 89mm (3 1/2")
Top burner 11000	Ø 72mm (2 13/16")
Top burner 5000	Ø 54mm (2 1/8")



USER'S MANUAL CHAGNY

Use:



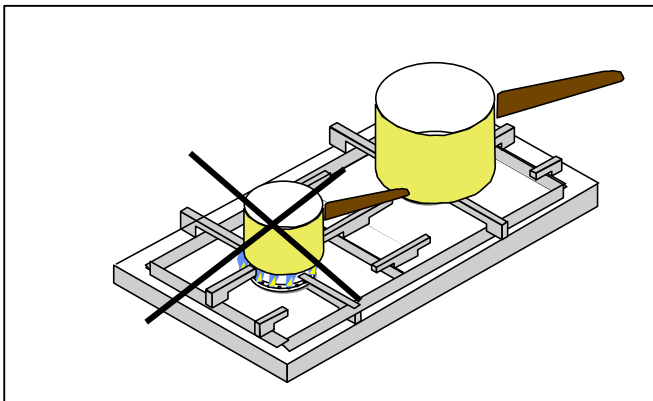
Turn on main gas supply to range.

- Depress handle & rotate burner valve handle anti-clockwise past the "IGN" position.
- Depress handle fully and wait for the burner's thermocouple to heat up. Hold for 15-20 seconds *after flame has lit*. Igniters will spark (click) while handle is pressed.
- Release handle and rotate burner valve handle to "HIGH" position.
- Depress & rotate burner valve handle to the "LOW" position.
- To rotate burner valve handle to the "OFF" position, slightly depress handle then move to the "OFF" position.

A reduced flow rate position identified by the "Low" mark produces the preset minimum burner power. This setting is adjustable behind the knob.

Useful hint:

Always choose a burner that matches the diameter of the utensil used.



CAUTION:
During use of the cooking surface or oven, accessible parts may become very hot during use. Warn users of the potential hazards.

**CLOSE THE MAINS GAS VALVE
BEFORE CLEANING**

Cleaning:

The burners are made in two parts in order to facilitate cleaning. Clean them separately.

After removing the pan supports and burners, the cooking surface can be cleaned easily and thoroughly by simply using a sponge.

Do not use scouring pads or abrasive products such as oven cleaners and stain removers.

When cleaning, be careful not to splash liquid into the openings of the burners.



USER'S MANUAL CHAGNY

HEATING PLATE

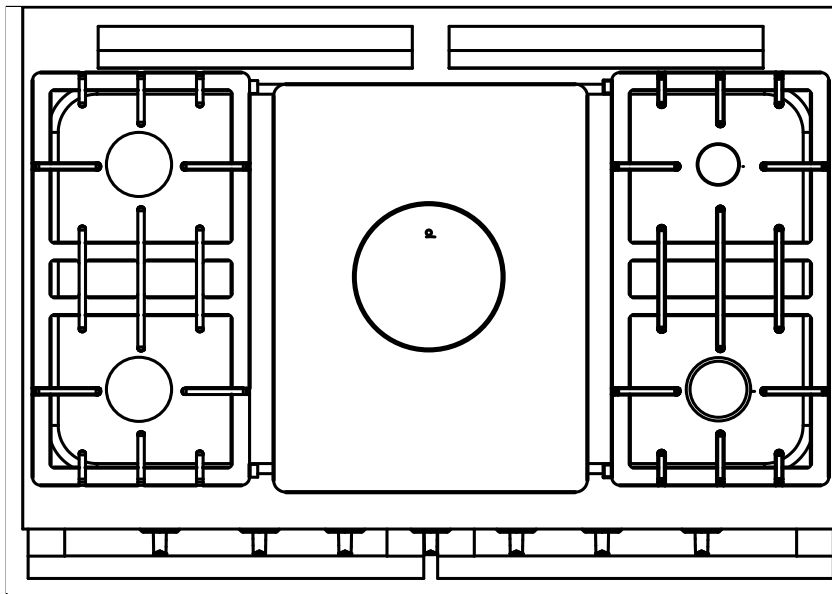
The heating plate is a cast iron plate heated by a high-power gas burner. It can be used as a work surface and several saucepans can be placed on it at the same time.

Cast iron stores and retains heat uniformly over its entire surface and it is possible to cook or simmer dishes depending on the temperature. Using the heating plate is ideal for cooking a pot au feu, coq au vin, warming a veal or fish stock or even binding a sauce.

By removing the central plug of the plate, the burner can be used as a traditional flame burner. “TRADITION” type gas hobs are equipped with a heating plate.

Description:

The heating plate is made entirely of cast iron. It consists of two parts, the main part rests directly on the cooking surface and the other removable plug part is located in the middle of the plate.

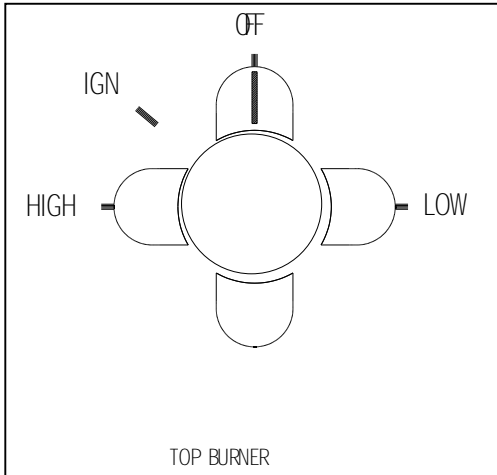


**DANGER: Temperature may exceed 300 °C/ 572 °F.
Warn potential users of hazards involved.**



USER'S MANUAL CHAGNY

Use:



Turn on main gas supply to range.

- Depress handle & rotate burner valve handle anti-clockwise past the "IGN" position.
- Depress handle fully and wait for the burner's thermocouple to heat up. Hold for 15-20 seconds *after flame has lit*. Igniters will spark (click) while handle is pressed.
- Release handle and rotate burner valve handle to "HIGH" position.
- Depress & rotate burner valve handle to the "LOW" position.
- To rotate burner valve handle to the "OFF" position, slightly depress handle then move to the "OFF" position.

A reduced flow rate position identified by the "Low" mark produces the preset minimum burner power. This setting is adjustable behind the knob.

Cleaning the heating plate:

**DO NOT USE WATER TO CLEAN THE HEATING
PLATE WHEN IT IS HOT.
This can damage it.**

Immediately remove any spillages to make cleaning easier. You can use commercially available special products for cleaning enamelled cast iron. If the cast iron is heavily soiled, use scouring pads or a nylon brush and a food grade de-greaser, then rinse and pat dry after cleaning.



USER'S MANUAL

CHAGNY

BEFORE USING OVENS

In order to achieve optimum use and maximum benefit from your oven, please read the following hints carefully in order to familiarise yourself with the principles of oven cooking.

An oven cooks and heats by using a heat source which is generally located inside the oven. This heat source heats the air and then the entire oven. The food therefore cooks thanks to the heat given off by the heating elements but also thanks to heat radiated from the oven walls.

This is why it is advisable to:

- Pre-heat the oven for 20 to 30 minutes depending on the setting selected before placing your dish in the oven.
- When placing the dish in the oven, make sure that it is not too close to the oven walls in order to prevent the edges of dishes being exposed to excessive radiated heat.

The material of which plates and moulds are made of influences cooking due to its thickness, ability to transmit heat and its colour.

- Aluminium, earthenware and aluminium with a non-stick coating reduce cooking and underside browning. These materials are recommended for cooking cakes and roasts.
- Enamelled cast iron, anodised aluminium, tin-plated iron, ovenproof glass, heat-resistant porcelain and aluminium with a non-stick coating and coloured exterior increase underside browning. These materials are recommended in particular for open tarts, quiches and all crispy preparations that must be browned on the underside as well as on the top.

In order to prevent smoke being given off due to grease splashes when cooking meat, it is advisable to use pans that have high thermal inertia (earthenware or enamelled cast iron pans) **with high edges** of a size that matches the item being roasted. Turn red meats over half way through cooking.

It is inadvisable to place a pan directly on the base of the oven or to cook items simply placed in the drip tray. These few hints plus your own experience will enable you to achieve excellent results.

Danger:



When the oven or grill are switched on, accessible parts may become very hot. Keep children away from them. Be careful when handling dishes and shelves.



Openings or slits for ventilation or heat dissipation must not be blocked.



Never store flammable products in the storage drawers for saucepans



USER'S MANUAL

CHAGNY

GAS OVEN

The gas oven is a high-performance oven. Some chefs are convinced that gas ovens do not dry out dishes during cooking. The results obtained are excellent and energy consumption is lower!

Gas ovens are ideal for slow cooking, for instance dishes cooked in earthenware dishes (terrines, gratins, ragouts, etc.) as well as for meats that require fast cooking and need to be sealed (loin of lamb) or even roasts which do not form an outside crust and remain really succulent.

In addition, gas ovens are ideal for cooking all dishes that require high “bottom heat” (1). We recommend the use of electric ovens for dishes that have to be cooked in a dry atmosphere or at very low temperatures (below 150 °C / 302 °F) such as meringues and certain cakes and pastries.

(1) *“Bottom heat” is obtained through heat from the lower part of the oven, i.e. in the case of a gas oven, the location where the heat source is situated. Bottom heat is recommended for cooking fruit tarts, quiche lorraines, etc. for example.*

Description:

Made of sheet steel with an acid-resistant enamel coating applied at 850 °C / 1562 °F; the gas ovens have racks with 3 shelf positions (70mm spacing) allowing shelves and flatware to slide in easily. The oven volume is 51 litres / 1.80 ft³.



The gas oven is supplied with one shelf and a roasting pan standard.

The oven burner is controlled by a thermostat valve. A thermocouple safety cut-out switches off the gas supply to the thermostat valve if the burner is accidentally extinguished.

The oven burner is a large unit in order to ensure even heating of the base surface area. Its thermal output is 3.5 kW.



USER'S MANUAL

CHAGNY

Use the oven:

- Turn on main gas supply to range.
- Depress oven valve handle & rotate anti-clockwise to the "IGN" position.
- Depress handle fully. Igniters will continue to spark (click) until pilot flame has lit. Keep holding for 10-20 seconds after 'Clicking' has stopped to wait for the pilot's thermocouple to heat up. Only a hot thermocouple will keep the gas valve open.
- Fully press in prior to releasing handle. At this point, the igniters should no longer be sparking.
- Depress and rotate burner valve handle to desired temperature position.
- To turn off, rotate burner valve handle to "IGN" position. Depress handle halfway to move into the "Off" position.



If using the gas oven for the first time after installation, you will need to purge the fuel lines of air before the burners/oven will ignite. This will take up to 2 minutes. The handle must be depressed for this period of time.

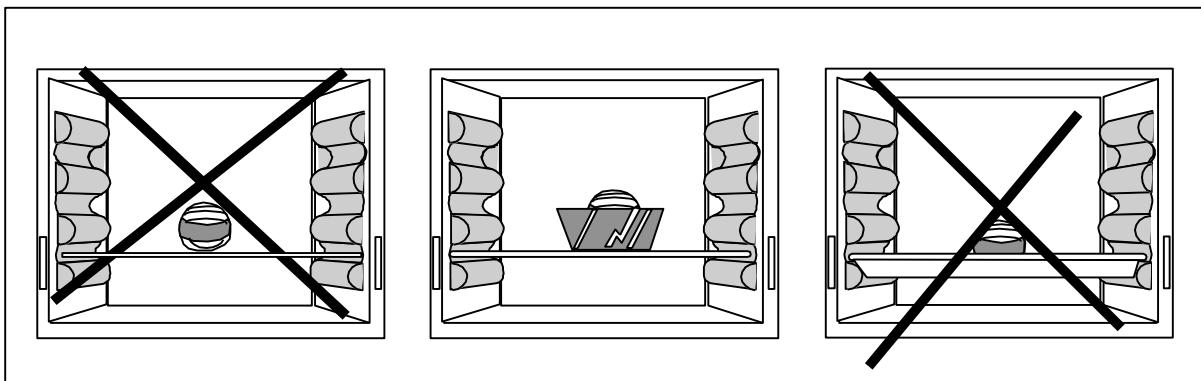
Before using the oven for the first time, it is advisable to switch it on without anything in it at the maximum thermostat position for 1/2 hour in order to eliminate the smell of fumes due to the composition of the mineral wool used to insulate the oven and residues from greases applied during manufacture. These odours will disappear after the oven has been used a few times.

Useful hints:

- Use pans with high edges for roasting in order to minimise grease splashes.
 - When cooking fruit tarts, place the drip tray at the bottom of the oven in order to collect any spillages.
- It is also advisable never to place foodstuffs directly in the drip tray**

To remove oven racks:

- Pull rack forward to the stop position.
- Raise the forward edge of the rack and lift out.
- Reverse procedure to install racks.





USER'S MANUAL CHAGNY

ELECTRIC GRILL OVEN

Electric grill ovens are simple to use and are ideal for cooking all usual dishes.

The electric grill oven has two heating elements and can be used as both an oven and a grill.

It is intended primarily for cooking quiches, pizzas and flans. In broil mode it is perfect for finishing off a crème brûlée or for putting the finishing touch to a dish with a grated cheese topping, grilling small sausages, bacon or toasting or for cooking a rib of beef so that it is just right

The confined space inside the oven enables it to heat up more quickly and reduces the preheating time.

In broil mode, dishes are lightly browned by heat refracted from the top of the oven

Description:

Made of sheet steel with an acid-resistant enamel coating applied at 850 °C/ 1562 °F; the oven has a capacity of 25 litres/ 0,88 ft³. .

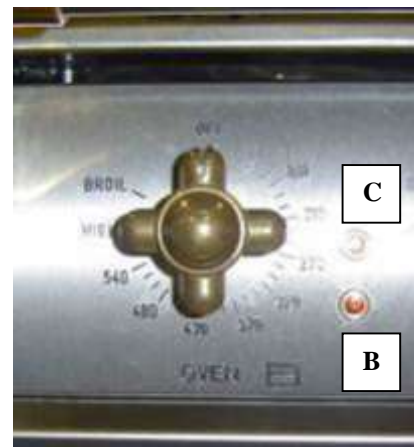
The electric grill oven is equipped with a toast grid, a roasting plate and shelves removable dividers which make cleaning easier as standard.

Heating in oven mode is provided by a lower 1500 W heating element. When used as a grill, heating is provided by 2400 W heating element.

The heating element is controlled by a thermostat switch:

There are 2 indicator lamps on the control panel of the electric-oven version:

- Signal lamp **B** lights when the components are switched on.
- Signal lamp **C** shows status of energised component. It is lit or not lit depending on the programmed temperature.



Use:

The oven must be pre-heated at the thermostat setting chosen for cooking.

Turn the thermostat switch clockwise to the required mark.

The indicator lamps (**B** and **C**) are lit. When indicator lamp **C** is no longer lit, the selected temperature has been reached and you can then place your dish in the oven.

To turn off, turn the control knob clockwise to the O position.

In the grill position, turn the thermostat control knob one click further to the symbol. .

To turn off, turn the control knob clockwise to the O position.

Useful hint:

The electric grill oven is not designed to cook large food items (chicken, roasts, etc.).

See paragraph “Before using ovens”



USER'S MANUAL

CHAGNY

ELECTRIC OVEN

Electric ovens are simple to use and are ideal for cooking all usual dishes.

The electric oven has three heating elements and can be used as both an oven and a grill.

The electric oven is specially recommended for dry pastries such as almond biscuits, Genoese sponges, etc.

Description:

Made of sheet steel with an acid-resistant enamel coating applied at 850 °C / 1562 °F; the oven has 3 shelf positions (70 mm spacing) allowing shelves and flatware to slide in easily. The oven volume is 56 litres / 1.98 ft³.

The dimensions of the oven are: 400 mm (15⁴⁷/₆₄'') x 465 mm (18¹⁹/₆₄'') x 265 mm (10²⁷/₆₄'')

The electric oven is supplied equipped with a roasting plate and a shelf.

The heating elements consist of a 1500 W element at the base and a peripheral 700 W element in the roof which operate simultaneously.

In the grill position, only the central element of the 2100 W element in the roof operates.

The heating elements are controlled by a thermostat switch.

There are 2 indicator lamps on the control panel of the electric-oven version:

- Signal lamp **B** lights when the components are switched on.
- Signal lamp **C** shows status of energised component. It is lit or not lit depending on the programmed temperature.

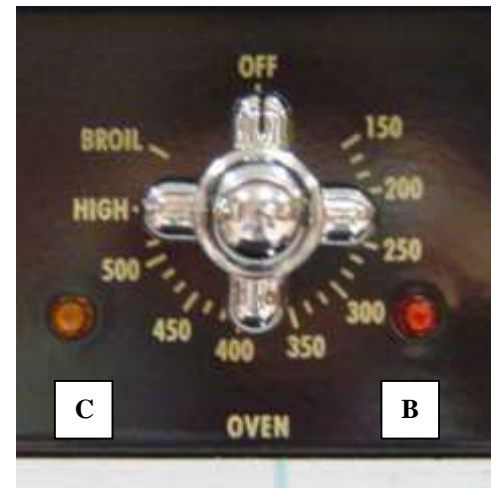
Use:

The oven must be pre-heated at the thermostat setting chosen for cooking.

Turn the thermostat switch clockwise to the required mark. The indicator lamps (**B** and **C**) are lit. When indicator lamp (**C**) is no longer lit, the selected temperature has been reached and you can then place your dish in the oven.

In order to switch off, turn the thermostat control knob from the right to the left as far as the **OFF** position.

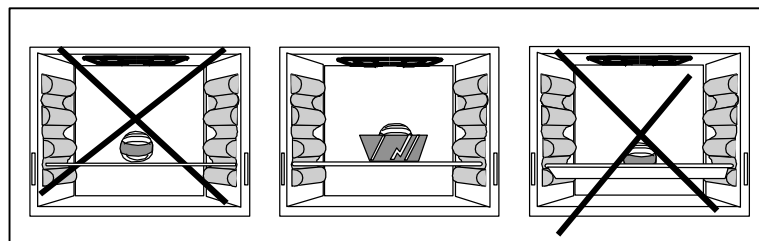
Prior to first use of oven: Preheat empty on thermostat setting 220°C for 20 minutes, then operate at maximum temperature for approximately 2 hours to heat the Rockwool oven insulation and burn off the grease used in the manufacturing process. All odours and smoke will disappear when the oven has been used a few times.



Useful hints:

- Use pans with high edges for roasting in order to minimise grease splashes.
- When cooking fruit tarts, place the drip tray at the bottom of the oven in order to collect any spillages.

It is also advisable never to place foodstuffs directly in the drip tray





USER'S MANUAL

CHAGNY

Electric grill:

The electric oven is equipped with a grid that can be used to grill meats and cook all types of dishes au gratin. The electric grill is ideal to finish off crèmes brûlées or obtain perfect cooking of a rib of beef for example.

Use:

Turn the thermostat control knob to mark “**BROIL**”.
In order to switch off, return the control knob to position “**OFF**”.

Useful hints:

CAUTION, the grill cooks very quickly, always keep an eye on the food you are cooking

- Lightly oil the surface of meat and fish before placing them on the sliding grid
- Only place and use the drip tray under the grid in order to collect cooking juices and prevent spillages in the case of food cooked au gratin.
- Increase the distance between the heating element of the grill and the food to be grilled depending on its thickness in order to avoid overcooking the outer surface without cooking the inside of the food.
- Keep a careful eye on the food you are cooking; grilling generally does not take long.

To remove oven racks:

- Pull rack forward to the stop position.
- Raise the forward edge of the rack and lift out.
- Reverse procedure to install racks.



When grilling, the door must be closed and only opened to inspect the foods and then close again.



USER'S MANUAL

CHAGNY

ELECTRIC FORCED CONVECTION OVEN

The forced convection oven is a recent development in cooking techniques. Its principle is straightforward: air circulates over a heating element, is heated when it comes into contact with the element and the heat thus obtained in the oven is used to cook food.

Air circulation is achieved by using one or two turbines inside the oven which draw in air and expel it onto one or two heating elements, thus producing movement of warm air referred to as "convection".

Forced convection ovens have many advantages, the main benefit being that identical or different dishes can be cooked evenly at several levels. It is therefore particularly suitable for cooking cakes, pastries, Viennese bread or flaky pastry.

It heats quickly and defrosts frozen food evenly.

Different dishes can be cooked simultaneously without taste transference because odours are destroyed as the air passes over the heating element.

Description:

Made of sheet steel with an acid-resistant enamel coating applied at 850 ° C / 1562 °F, the 45 litres / 1,59 ft³ oven has racks with 3 shelf positions (70 mm spacing) allowing shelves and flatware to slide in easily.

The dimensions of the oven are: 400 mm (15^{47/64}"') x 420 mm (16^{17/52}"') x 280 mm (11^{1/32}"').

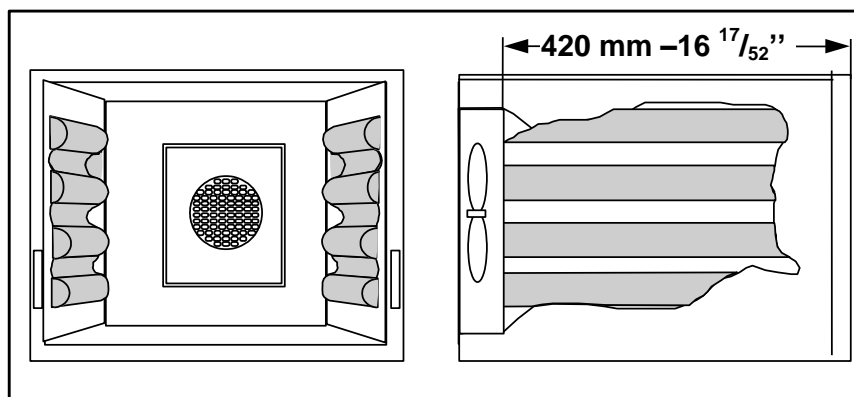
The forced convection oven is equipped with a roasting plate and a shelf.

The oven is heated by a circular 2650 W element.

This can optionally be fitted with an electric grill with a rating of 2100 W.

The heating element is controlled by a thermostat switch, the control panel has 2 indicator lamps:

- Signal lamp **B** lights when the components are switched on.
- Signal lamp **C** shows status of energised component. It is lit or not lit depending on the programmed temperature.





USER'S MANUAL CHAGNY

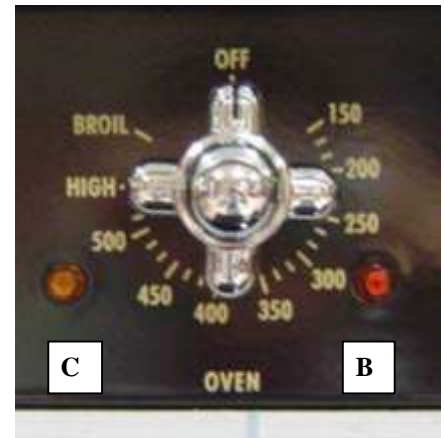
Use:

The oven must be pre-heated at the thermostat setting chosen for cooking.

Turn the thermostat switch clockwise to the required mark. The indicator lamps (**B** and **C**) are lit. When indicator lamp (**C**) is no longer lit, the selected temperature has been reached and you can then place your dish in the oven.

In order to switch off, turn the thermostat control knob from the right to the left as far as the **OFF** position.

Before using the oven for the first time, it is advisable to switch it on without anything in it at the maximum thermostat position for 1/2 hour in order to eliminate the smell of fumes due to the composition of the mineral wool used to insulate the oven and residues from greases applied during manufacture. These odours will disappear after the oven has been used a few times.



Grill (option):

Turn the control knob to the setting beyond the **HIGH** position. To switch off, turn the selector knob counter-clockwise as far as the **OFF** mark.

Useful hints:

To remove oven racks:

- Pull rack forward to the stop position.
- Raise the forward edge of the rack and lift out.
- Reverse procedure to install racks.

When cooking different dishes simultaneously, preferably place cakes and pastries at higher levels above other items to be cooked. If the cooking times of dishes vary, place them in the oven so that they are cooked just in time to serve them and remove them as soon as they are ready.

In a forced convection oven, cooking can take place at temperatures lower than in a conventional oven. Consider reducing the heating temperature or reducing the cooking time by 25%. Always rotate the item 180°, halfway through its cooking time.

- Use pans with high edges for roasting in order to minimise grease splashes (e.g. casserole without lid).
- When cooking fruit tarts, place the drip tray at the bottom of the oven in order to collect any spillages.
- It is also advisable never to place foodstuffs directly in the drip tray.

When grilling, the door must be closed and only opened to inspect the foods and then close again.

CAUTION: The grill cooks very quickly and the user must always keep an eye on it.



USER'S MANUAL

CHAGNY

CLEANING

BEFORE ANY CLEANING WORK, CLOSE THE GAS SUPPLY AND/OR ISOLATE FROM THE MAINS SUPPLY

Oven:

Use no abrasive cleaners on the oven walls. Special oven cleaning foams or gels (i.e. Easy-Off) may be used but should be kept away from the heating elements. Towel dry and wipe away cleaning foam or gel after the cleaning process is complete. Remove the oven door gasket when using foams or gels.

DO NOT USE a metal knife, spatula, or any other metal tool to scrape stainless steel. Scratches are almost impossible to remove. Clean the rear cover (electric oven or fan-assisted oven) with a pre-treated towel to ensure that the cooling louvers are not blocked. Do not spray cleaner directly through the louvers in the rear cover.

Burners:

Brass Caps:

Use soap and water and a Scotch-Brite® pad to clean the caps. A brass cleaner and polish can be used but will only effect the buildup of tarnish or oxidation. The brass caps reach a very high operating temperature and slowly temper with usage, which will slowly change the color of the metal from a shiny gold to a matte brown.

Aluminium Bowls:

Use soap and water and a Scotch-Brite® pad or products like Barkeeper's Friend® and a nylon brush to clean the irregular surface of the burner bowls. If the aluminium is heavily soiled, use a solution of 50% white vinegar and 50% warm water with a scouring pad or nylon brush to remove grease before cleaning. Increase the concentration of vinegar and soak for stubborn grease stains. Rinse with water and towel dry after cleaning.

Trim:

Brass:

Use mild metal cleaners and polishes similar to MOTHER'S® Mag & Aluminium Polish. Will not react to colored enamelled panels. Use as directed.

Body panels:

Stainless Steel:

You can use special-purpose products for stainless steel (e.g. ZEP'S STAINLESS STEEL®, JOHNSON STAINLESS STEEL®, SIMPLE GREEN STAINLESS STEEL®). Never use abrasive products.

Enamelled surfaces:

Use non-ammonia glass cleaner or dish soap & water to clean the colored enamelled panels.

Caution: Cast iron and brass cleaners affect and modify the color of enamelled parts.

Immediately rinse abundantly with water and do not rub to remove inadvertent splashes or runs.

Heating plate:

Follow instructions when using this equipment in the beginning. Use a special cast iron cleaner such as ZEBRACIER or Le Creuset® Enamelled Cast Iron Cookware Cleaner for normal cleaning.

If the cast iron is heavily soiled, use a solution of 50% white vinegar and 50% warm water with a scouring pad or nylon brush to remove grease before cleaning. Increase the concentration of vinegar for stubborn grease stains. Rinse with water and towel dry after cleaning.

CAUTION

Use NO chlorinated cleaners to clean this unit.